

Receiver
From

 Company
 Reference
 Address
 Phone
 Fax
 E-mail

Item no.

60121345

Customer pos. no.:
Model:

AQUAJET 82 M-G

Pump data

 Pressure rating : 0,8 MPa
 Min. fluid temperature : 0 °C
 Max. fluid temperature : 35 °C
 Max. Temperature operating : 40 °C

Priming capacity :

H	m	2	3	4	5	6	7	8	9
Q	m ³ /h	3,06	2,76	2,46	2,28	1,92	1,74	1,32	1,02

Requested data

 Flow :
 Head :
 Fluid : Water
 Fluid Temperature : 20 °C
 Density : 998,3 kg/m³
 Kinematische viscositeit : 1,005 mm²/s
 Dampspanning : 0,00 MPa

Hydraulic data (duty point)

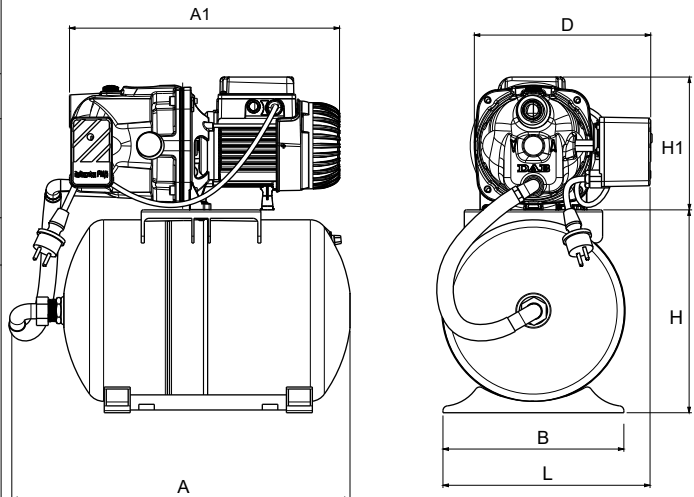
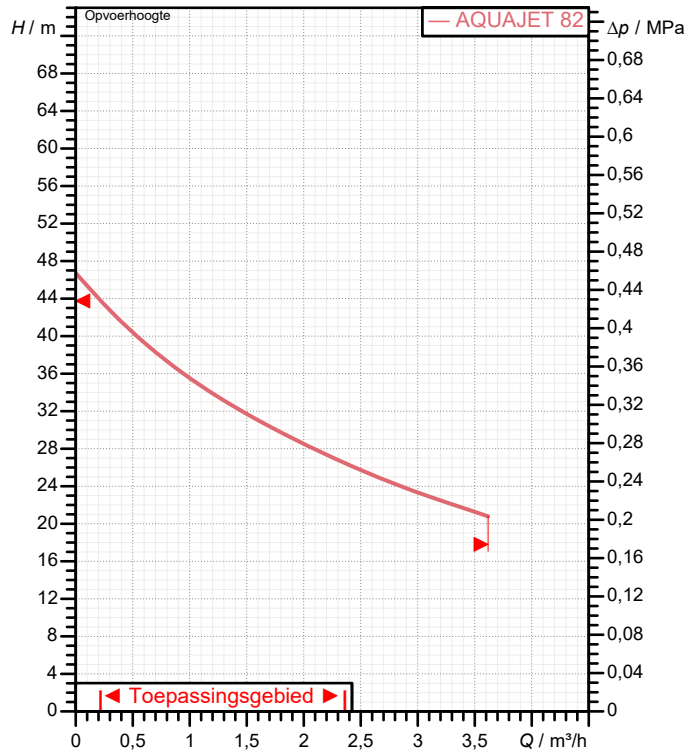
 Flow :
 Head :

Materials

 Pump body : Cast iron 200 UNI ISO 185
 Support : Die cast aluminium
 Impeller : Technopolymer A
 Mechanical seal : Carbon/Ceramic
 O-Ring : NBR Rubber
 Shaft with rotor : AISI 416 X12 CrS 13 UNI 6900/71
 Nozzle venturi diffuser assembly : Technopolymer A

Motor data

 Merk : DAB
 Nominal power P2 : 0,6 kW
 Rated speed : 2.750 1/min
 Rated voltage : 1~ 220-240 V
 Nominal current : 3,8 A
 Degree of protection : IP 44
 50 Hz

Curve tolerance according to ISO 9906

Dimension

mm

A	492	DNA	1"G	L	301		
A1	393	DNM	1"G				
B	263	H	296				
D	256	H1	194				

Gewicht: 17,8 kg

Pump connection

 Suction side : 1" G / 0,8 MPa
 Discharge side : 1" G / 0,8 MPa



PERFORMANCE CURVES

2023-07-05

Pagina 2 / 3

DAB PUMPS S.p.A.
Via Marco Polo, 14 - 35035 Mestrino (PD), Italy
Tel. +39 049 5125000 - Fax +39 049 5125950
www.dabpumps.com

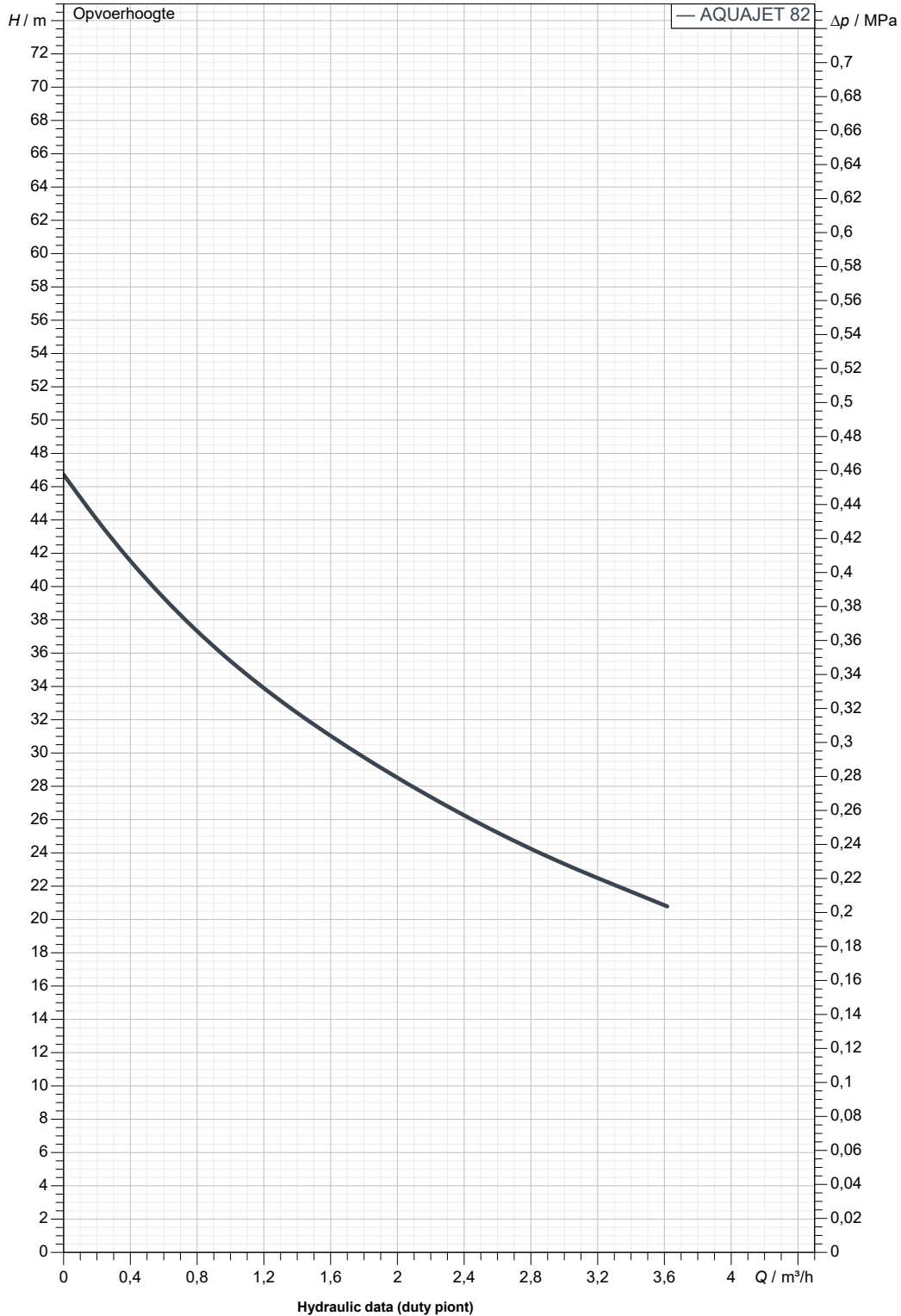
Receiver

From

Company
Reference
Address
Phone
Fax
E-mail

AQUAJET 82 M-G

Curve tolerance according to ISO 9906



Suction side
1" G
0,8 MPa

Discharge side
1" G
0,8 MPa

Flow :

Head :

Rated speed:
2.750 1/min

MAIN_PROJECT_TITLE

BUSINESS_PROCESS_ID

OWNER_

ISSUE_DATE
2023-07-05



DIMENSIONAL DRAWING

2023-07-05

Pagina 3 / 3

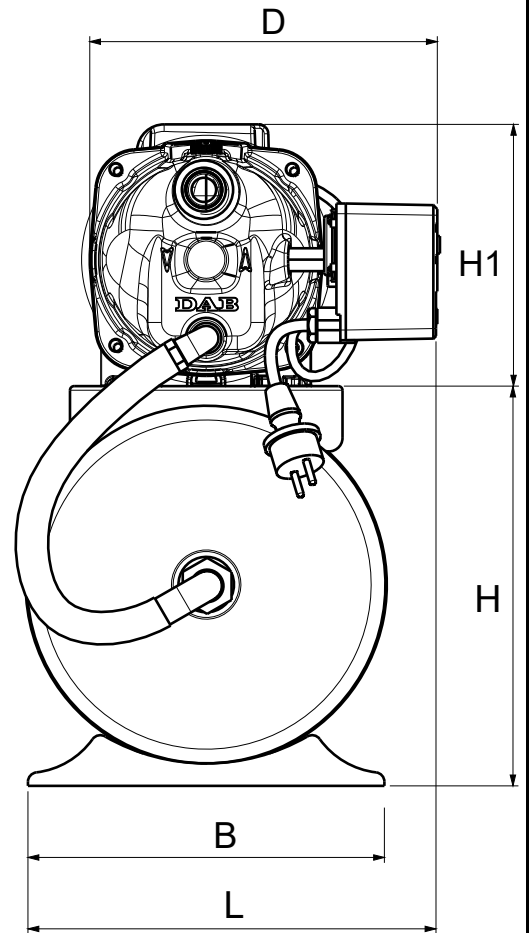
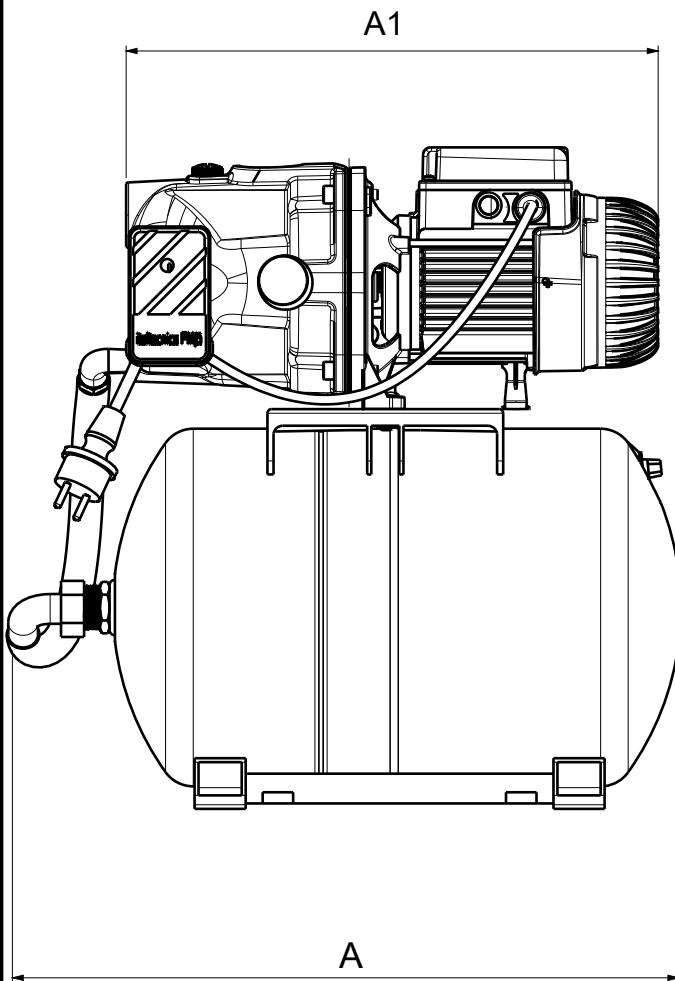
DAB PUMPS S.p.A.
Via Marco Polo, 14 - 35035 Mestrino (PD), Italy
Tel. +39 049 5125000 - Fax +39 049 5125950
www.dabpumps.com

Receiver

From

Company
Reference
Address
Phone
Fax
E-mail

AQUAJET 82 M-G



Dimensions in mm

Dimensions in mm				Pump connection	
1	A	492			
2	A1	393			Suction
3	B	263			1" G
4	D	256			0,8 MPa
5	DNA	1"G			
6	DNM	1"G			Discharge
7	H	296			1" G
8	H1	194			0,8 MPa
9	L	301			
10					
11					

MAIN_PROJECT_TITLE

BUSINESS_PROCESS_II

OWNER_

ISSUE_DATE

2023-07-05