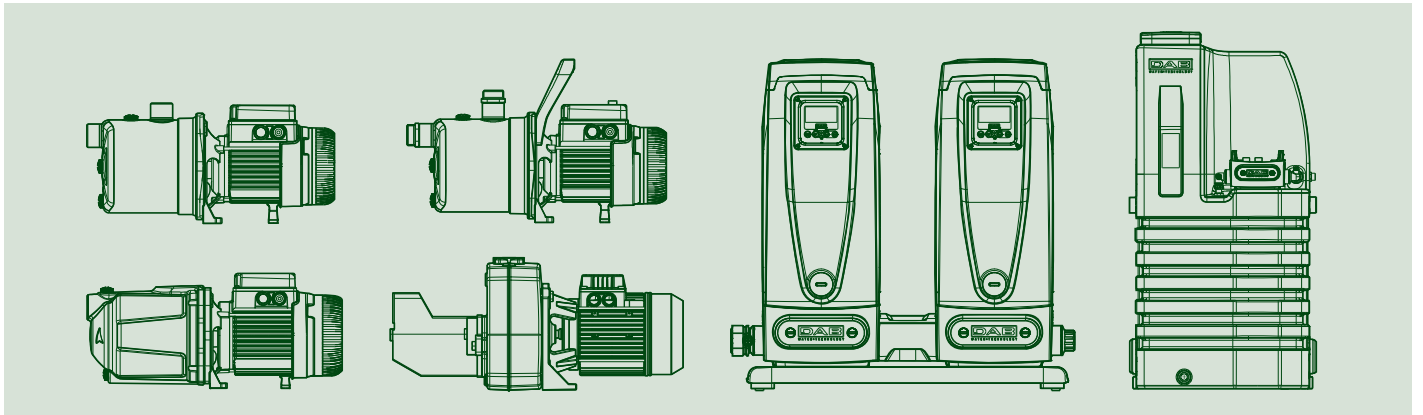


SELF-PRIMING MULTISTAGE CENTRIFUGAL PUMPS



**TECHNICAL
CATALOGUE**



TECHNICAL DATA

Operating range:

up to 5.4 m³/h with head up to 61 metres

Liquid quality requirements: clean, free from solid or abrasive contaminants, non-viscous, non-aggressive, uncrystallised and chemically neutral, close to the properties of water

Liquid temperature range: from 0°C to +35°C for domestic use (EN 60335-2-41), For other use: from 0°C to +40°C

Maximum ambient temperature: +40°C

Maximum operating pressure: 8 bar (800 kPa)

Motor protection rating: IP 44

Terminal block protection rating: IP 55

Insulation class: F

Standard input voltage: single phase 220-240 V / 50 Hz

APPLICATIONS

Automatic booster sets, especially suitable for domestic use, small civil, farming or industrial installations, washing plants and leisure activities.

These feature JET self-priming electric pumps, which work even in the presence of air bubbles and small sandy impurities in the water.

The assembly comprises a 20 litre capacity mebrane tank, pressure switch for automatic operation, pressure gauge, JET electric pump with power cord with plug, fittings kit between the pump and the tank, all fully assembled and ready for installation.

CONSTRUCTIONAL FEATURES OF THE PUMP

Pump body and motor support in die cast aluminium.

Impeller, diffuser, venturi tube and sand guard in technopolymer

Stainless steel wear ring.

Carbon/ceramic mechanical seal.

CONSTRUCTIONAL FEATURES OF THE MOTOR

Asynchronous type, closed, with external air cooling.

Rotor mounted on oversized greased-for-life ball bearings, to guarantee low noise and long life.

Incorporated thermo-amperometric protection and permanently inserted capacitor.

Manufactured pursuant to CEI 2-3 / CEI 61-69 (EN 60335-2-41).

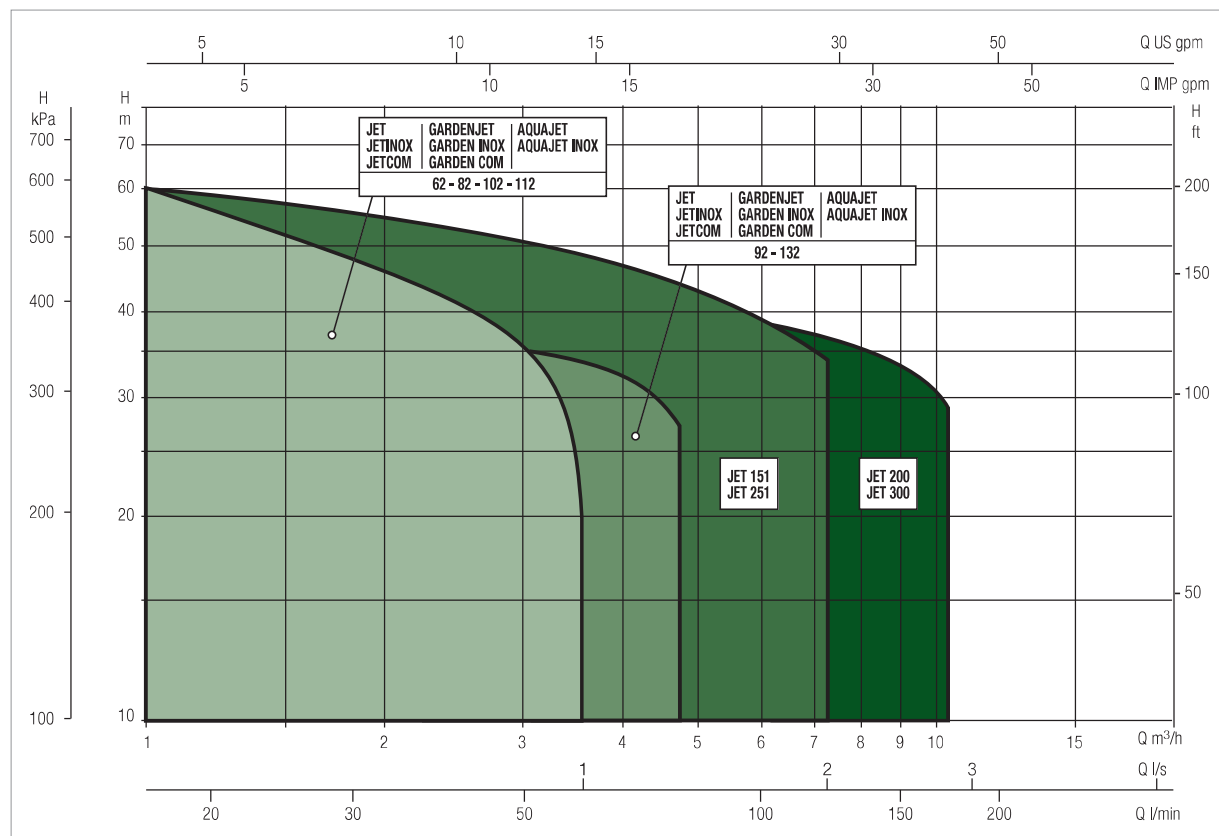
CONSTRUCTIONAL FEATURES OF THE TANK

Horizontal, 20 litre capacity tank, with butyl membrane, including rear support brackets and front housing brackets for installation of the top side of the pump.

PERFORMANCE RANGE

The performance curves are based on kinematic viscosity values = 1 mm²/s and density equivalent to 1000 kg/m³. Curve tolerance according to ISO 9906.

GRAPHIC SELECTION TABLE



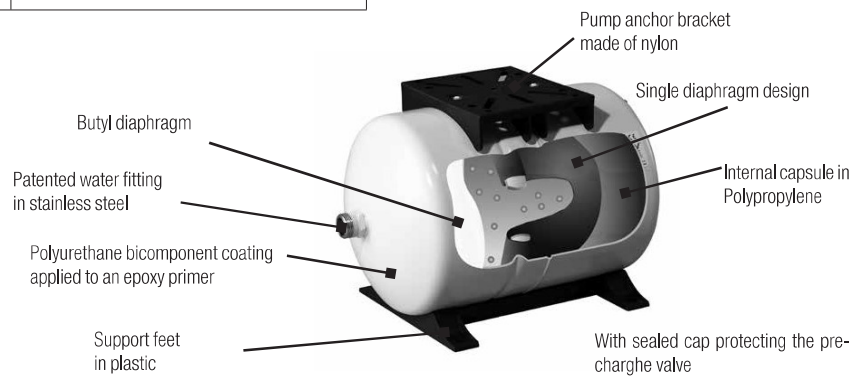
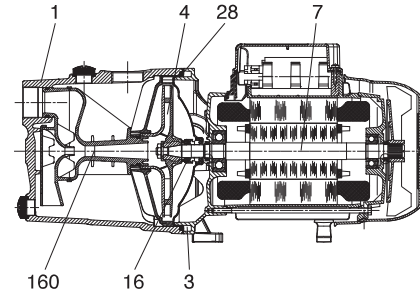
AQUAJET SELECTION TABLE

MODEL	Q=m³/h	0	0,6	1,2	1,8	2,4	3,0	3,6	4,2	4,8
	Q=l/min	0	10	20	30	40	50	60	70	80
AQUAJET 82 M - G	H (m)	47	40	34	30	26,2	23,5	20,3		
AQUAJET 102 M - G		53,8	47	41	36,3	32,4	28,8	25,8		
AQUAJET 112 M - G		61	54	47,8	42,8	38,8	34,8	22		
AQUAJET 92 M - G		36,2	33,5	31	28,4	26	24	21,8	19,6	17,5
AQUAJET 132 M - G		48,3	45,6	42,8	40	37,6	35	32,5	30	27,2

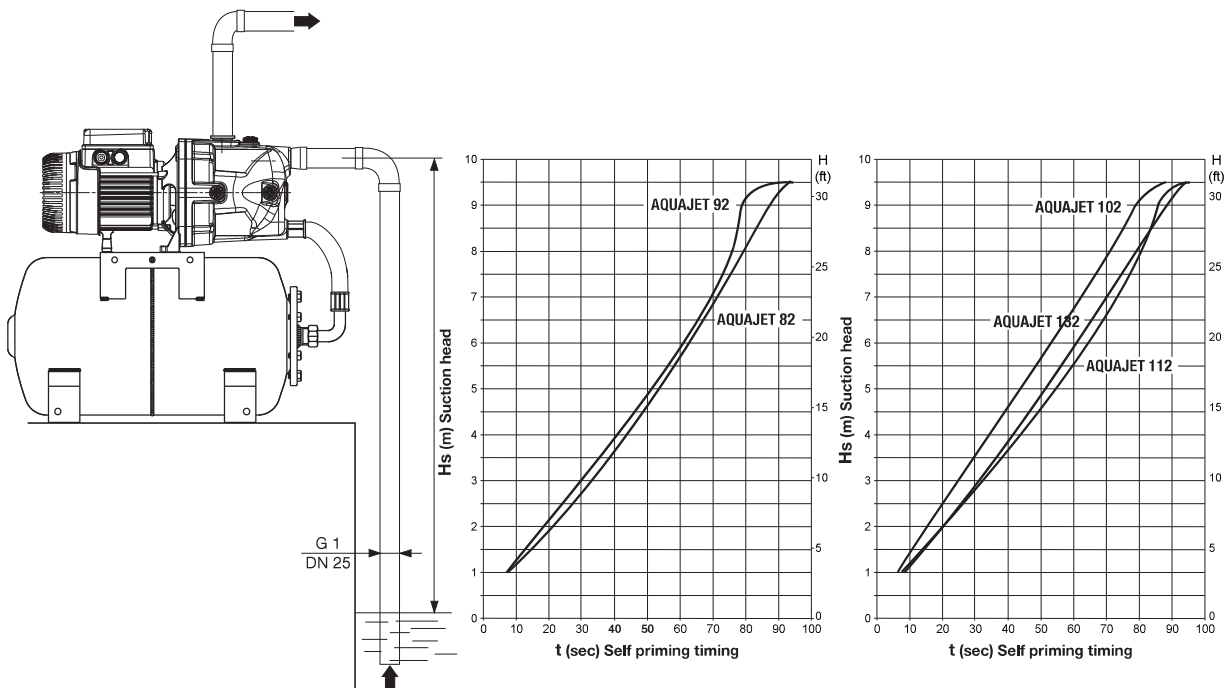
MATERIALS

N°	PARTS *	MATERIALS
1	PUMP BODY	200 UNI ISO 185 CAST IRON
3	FRAME	DIE CAST ALUMINIUM
4	IMPELLER	TECHNOPOLYMER A
7	SHAFT WITH ROTOR	AISI 416 STAINLESS STEEL X12 CrS13 - UNI 6900/71
16	MECHANICAL SEAL	CARBON/CERAMIC
28	OR GASKET	NBR RUBBER
160	VENTURI DIFFUSER NOZZEL GROUP	TECHNOPOLYMER A

* In contact with liquid

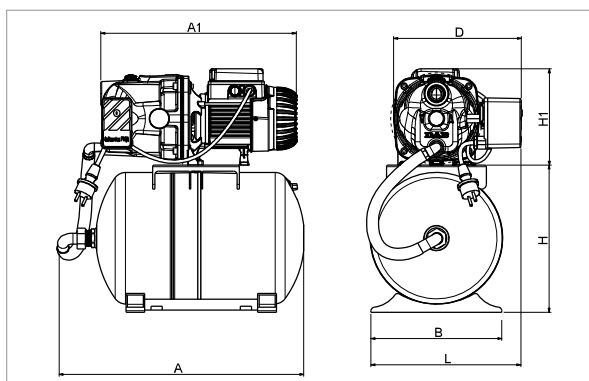
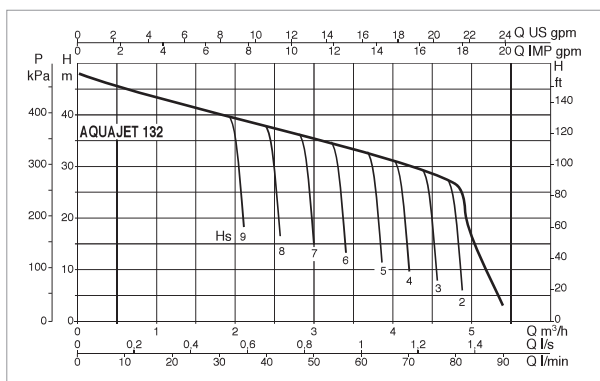
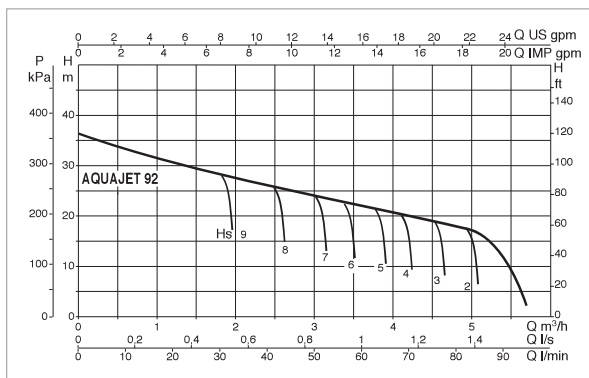
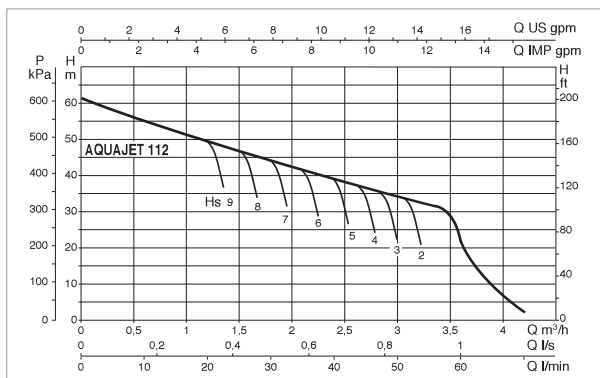
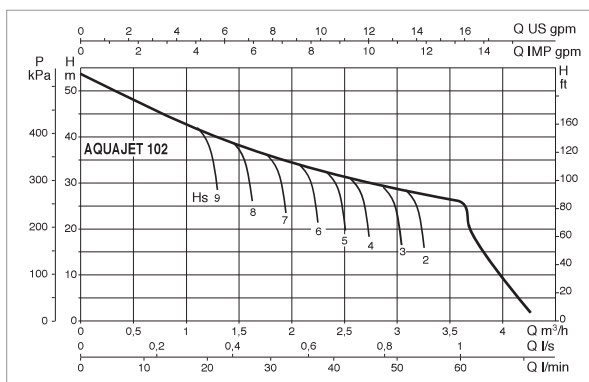
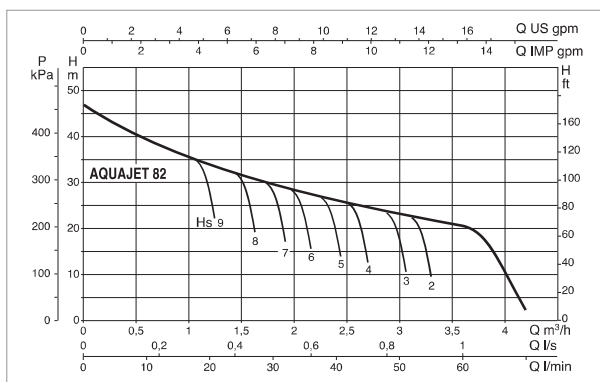


SELF PRIMING CAPACITY



AQUAJET - AUTOMATIC SELF-PRIMING PRESSURISATION GROUPS

Liquid temperature range pumped: from 0 °C to +35 °C - Maximum ambient temperature: +40°C



The performance curves are based on kinematic viscosity values = 1 mm²/s and density equivalent to 1000 kg/m³. Curve tolerance according to ISO 9906.

MODEL	ELECTRICAL DATA						
	POWER SUPPLY 50 Hz	P1 MAX kW	P2 NOMINAL		I _n A	CAPACITOR	
			kW	HP		μF	Vc
AQUAJET 82 M - G	1x220-240 V ~	0,85	0,6	0,8	3,8	12,5	450
AQUAJET 102 M - G	1x220-240 V ~	1,13	0,75	1	5,1	16	450
AQUAJET 112 M - G	1x220-240 V ~	1,4	1	1,36	6,2	25	450
AQUAJET 92 M - G	1x220-240 V ~	0,94	0,75	1	4,2	14	450
AQUAJET 132 M - G	1x220-240 V ~	1,49	1	1,36	6,6	25	450

MODEL	A	A1	B	D	H	H1	L	DNA GAS	DNM GAS	PACKING DIMENSIONS			VOLUME (mc)	GROSS WEIGHT Kg
										L/A	L/B	H		
AQUAJET 82 M - G	492	393	263	256	296	194	301	1"	1"	566	360	554	0,104	18,2
AQUAJET 102 M - G	492	413	263	256	296	204	301	1"	1"	566	360	554	0,104	20
AQUAJET 112 M - G	492	413	263	256	296	204	301	1"	1"	566	360	554	0,104	21
AQUAJET 92 M - G	492	303	263	256	296	194	301	1"	1"	566	360	554	0,104	19,2
AQUAJET 132 M - G	492	413	263	256	296	204	301	1"	1"	566	360	554	0,104	21

DAB
PUMPS SELECTOR

On-line product selection



DAB PUMPS LTD.
6 Gilberd Court
Newcomen Way
Severalls Business Park
Colchester
Essex
CO4 9WN - UK
salesuk@dwgroup.com
Tel. +44 0333 777 5010



DAB PUMPS BV
"Hofveld 6 C1
1702 Groot Bijgaarden - Belgium
info.belgium@dwgroup.com
Tel. +32 2 4668353



DAB PUMPS B.V.
Albert Einsteinweg, 4
5151 DL Drunen - Nederland
info.netherlands@dwgroup.com
Tel. +31 416 387280
Fax +31 416 387299



DAB PUMPS GMBH
Am Nordpark 3
D - 41069 Mönchengladbach - Germany
info.germany@dwgroup.com
Tel. +49 2161 47388-0
Fax +49 2161 47388-36



DAB PUMPS IBERICA S.L.
Calle Verano 18-20-22
28850 - Torrejón de Ardoz - Madrid
Spain
Info.spain@dwgroup.com
Tel. +34 91 6569545
Fax: + 34 91 6569676



DAB PUMPS HUNGARY KFT.
H-8800
Nagykanizsa, Buda Ernő u.5
Hungary
Tel. +36 93501700



DAB PUMPS POLAND Sp. z o.o.
Ul. Janka Muzykanta 60
02-188 Warszawa - Poland
polska@dabpumps.com.pl



OOO DAB PUMPS
Novgorodskaya str. 1, block G
office 308, 127247, Moscow - Russia
info.russia@dwgroup.com
Tel. +7 495 122 0035
Fax +7 495 122 0036



DAB PUMPS INC.
3226 Benchmark Drive
Ladson, SC 29456 - USA
info.usa@dwgroup.com
Tel. 1- 843-797-5002
Fax 1-843-797-3366



DAB PUMPS SOUTH AFRICA (PTY) LTD
Twenty One Industrial Estate,
16 Purlin Street, Unit B, Warehouse 4
Ollifantsfontein - 1666 - South Africa
info.sa@dwgroup.com
Tel. +27 12 361 3997



DAB PUMPS (QINGDAO) CO, LTD.
No.40 Kaituo Road, Qingdao Economic & Technological
Development Zone
Qingdao City, Shandong Province - China
PC: 266500
sales.cn@dwgroup.com
Tel. +86 400 186 8280
Fax +86 53286812210



DAB PUMPS DE MÉXICO, S.A. DE C.V.
Av Amsterdam 101 Local 4
Col. Hipódromo Condesa,
Del. Cuauhtémoc CP 06170
Ciudad de México
Tel. +52 55 6719 0493



DAB PUMPS OCEANIA PTY LTD
426 South Gippsland Hwy,
Dandenong South VIC 3175 - Australia
info.oceania@dwgroup.com
Tel. +61 1300 373 677



PT DAB PUMPS INDONESIA
Satrio Tower lantai 26
unit C-D, Jl. Prof. Dr. Satrio Kav. C4,
Kel. Kuningan Timur, Kec. Setiabudi, Kota Adm.
Jakarta Selatan, Prov. DKI Jakarta. - Indonesia
Tel. +62 2129222850