

Receiver
From

 Company
 Reference
 Address
 Phone
 Fax
 E-mail

Item no.

60141883

Customer pos. no.:
Model:

AQUAJET 132 M-G

Pump data

 Pressure rating : 0,8 MPa
 Min. fluid temperature : 0 °C
 Max. fluid temperature : 35 °C
 Max. Temperature operating : 40 °C

Priming capacity :

| | | | | | | | | | |
|---|------|------|------|------|------|------|------|------|------|
| H | m | 2 | 3 | 4 | 5 | 6 | 7 | 8 | 9 |
| Q | m³/h | 4,68 | 4,32 | 4,02 | 3,66 | 3,24 | 2,76 | 2,28 | 1,86 |

Requested data

 Flow :
 Head :
 Fluid : Water
 Fluid Temperature : 20 °C
 Density : 998,3 kg/m³
 Kinematische viscositeit : 1,005 mm²/s
 Dampspanning : 0,00 MPa

Hydraulic data (duty point)

 Flow :
 Head :

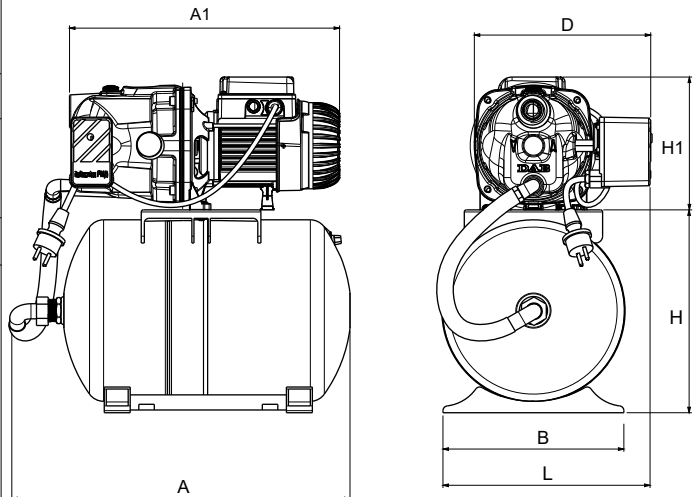
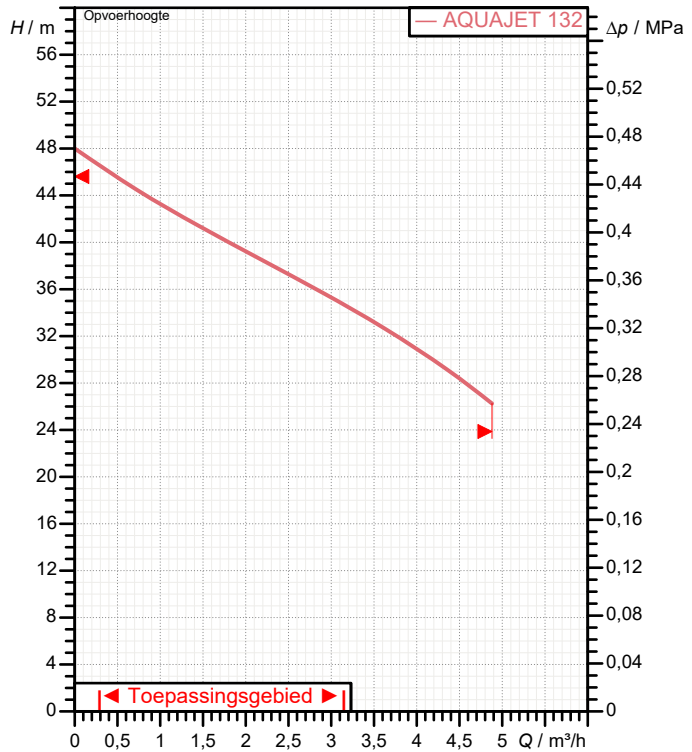
Materials

 Pump body : Cast iron 200 UNI ISO 185
 Support : Die cast aluminium
 Impeller : Technopolymer A
 Mechanical seal : Carbon/Ceramic
 O-Ring : NBR Rubber
 Shaft with rotor : AISI 416 X12 CrS 13 UNI 6900/71
 Nozzle venturi diffuser assembly : Technopolymer A

Motor data

 Merk : DAB
 Nominal power P2 : 1 kW
 Rated speed : 2.750 1/min
 Rated voltage : 1~ 230 V
 Nominal current : 6,6 A
 Degree of protection : IP 44

50 Hz

Curve tolerance according to ISO 9906

Dimension

mm

| | | | | | | | |
|----|-----|-----|-----|---|-----|--|--|
| A | 492 | DNA | 1"G | L | 301 | | |
| A1 | 413 | DNM | 1"G | | | | |
| B | 263 | H | 296 | | | | |
| D | 256 | H1 | 204 | | | | |

Gewicht: 21,5 kg

Pump connection

 Suction side : 1 " G / 0,8 MPa
 Discharge side : 1 " G / 0,8 MPa



PERFORMANCE CURVES

2023-07-19

Pagina 2 / 3

DAB PUMPS S.p.A.
Via Marco Polo, 14 - 35035 Mestrino (PD), Italy
Tel. +39 049 5125000 - Fax +39 049 5125950
www.dabpumps.com

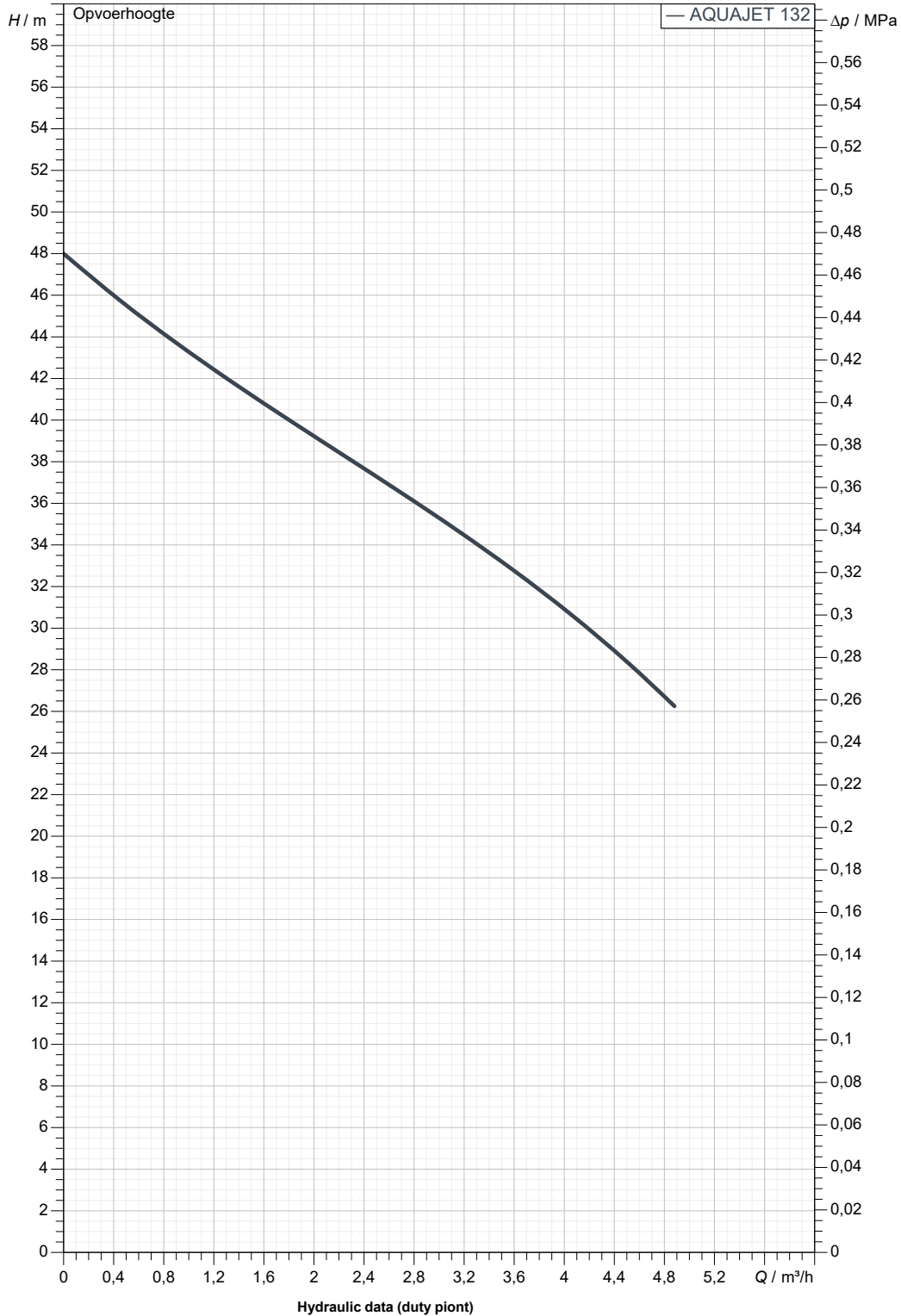
Receiver

From

Company
Reference
Address
Phone
Fax
E-mail

AQUAJET 132 M-G

Curve tolerance according to ISO 9906



Suction side
1" G
0,8 MPa

Discharge side
1" G
0,8 MPa

Flow :

Head :

Rated speed:
2.750 1/min

MAIN_PROJECT_TITLE

BUSINESS_PROCESS_ID

OWNER_

ISSUE_DATE
2023-07-19



DIMENSIONAL DRAWING

2023-07-1€

Pagina 3 / 3

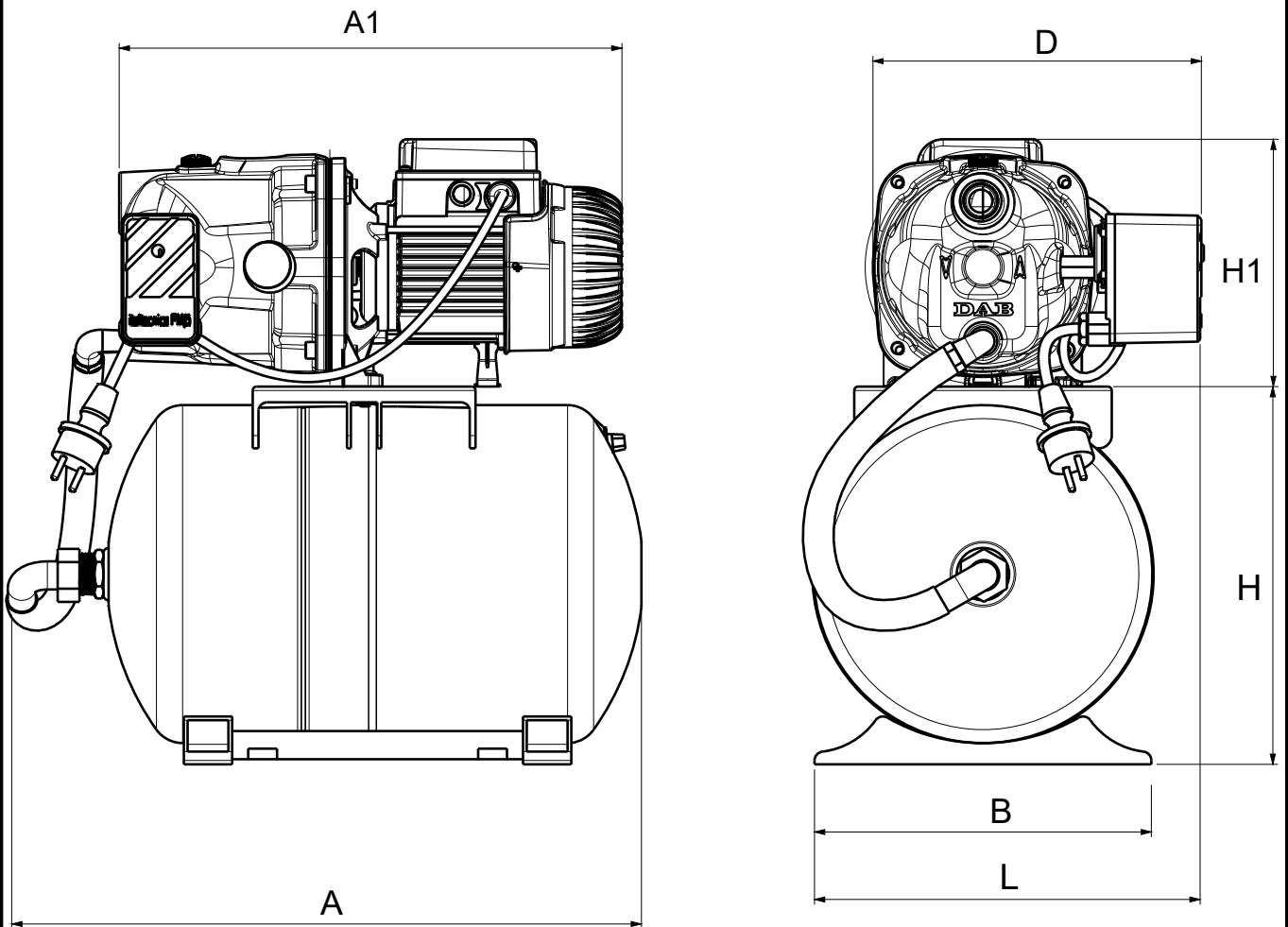
DAB PUMPS S.p.A.
Via Marco Polo, 14 - 35035 Mestrino (PD), Italy
Tel. +39 049 5125000 - Fax +39 049 5125950
www.dabpumps.com

Receiver

From

Company
Reference
Address
Phone
Fax
E-mail

AQUAJET 132 M-G



Dimensions in mm

| Dimensions in mm | | | | Pump connection | |
|------------------|-----|-----|--|-----------------|-----------|
| 1 | A | 492 | | | |
| 2 | A1 | 413 | | | Suction |
| 3 | B | 263 | | | 1" G |
| 4 | D | 256 | | | 0,8 MPa |
| 5 | DNA | 1"G | | | |
| 6 | DNM | 1"G | | | Discharge |
| 7 | H | 296 | | | 1" G |
| 8 | H1 | 204 | | | 0,8 MPa |
| 9 | L | 301 | | | |
| 10 | | | | | |
| 11 | | | | | |

MAIN_PROJECT_TITLE

BUSINESS_PROCESS_II

OWNER_

ISSUE_DATE

2023-07-19