

**Receiver**
**From**

 Company  
 Reference  
 Address  
 Phone  
 Fax  
 E-mail

**Item no.**

60212491

**Customer pos. no.:**
**Model:**

EUROINOX 40/80 M IE2

**Pump data**

 Pressure rating : 0,8 MPa  
 Min. fluid temperature : 0 °C  
 Max. fluid temperature : 35 °C  
 Max. Temperature operating : 40 °C

**Requested data**

 Flow :  
 Head :  
 Fluid : Water  
 Fluid Temperature : 20 °C  
 Density: 998,3 kg/m<sup>3</sup>  
 Kinematische viscositeit: 1,005 mm<sup>2</sup>/s  
 Dampspanning: 0,00 MPa

**Hydraulic data (duty point)**

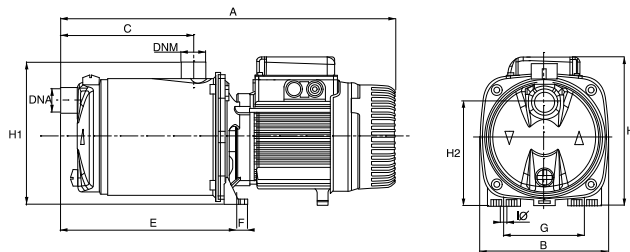
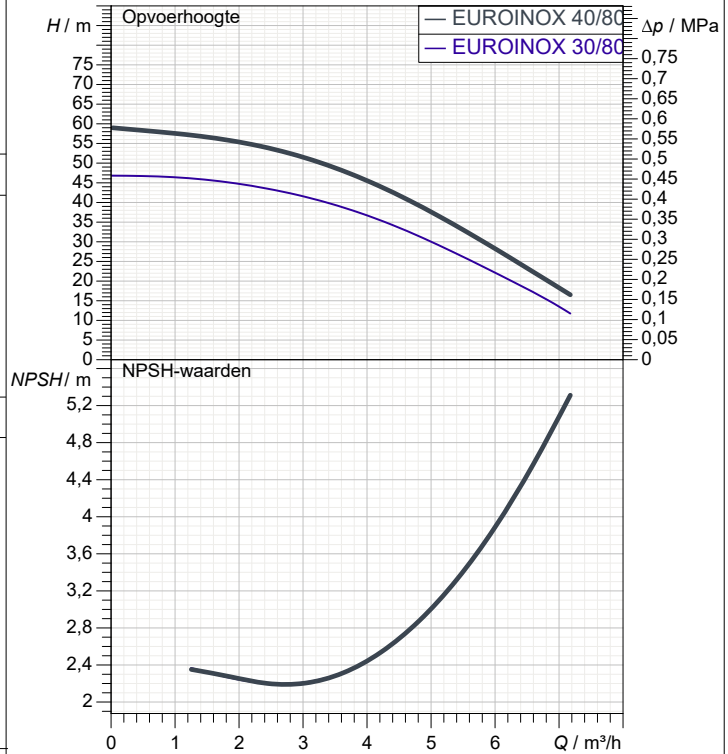
 Flow :  
 Head :

**Materials**

 Pump body AISI 304 X5 Cr Ni 1810 UNI 6900/71  
 Impeller Technopolymer  
 Shaft with rotor AISI 304 X5 Cr Ni 1810 UNI 6900/71  
 O-Ring NBR  
 Diffuser Technopolymer  
 Mechanical seal Carbon/Ceramic  
 Disc seal AISI 304 X5 Cr Ni 1810 UNI 6900/71

**Motor data**

 Merk : DAB  
 Nominal power P2: 0,85 kW  
 Rated speed: 2.930 1/min  
 Rated voltage : 1~ 230 V 50 Hz  
 Nominal current : 4,7 A  
 Degree of protection : IP 44

**Curve tolerance according to ISO 9906**

**Gewicht:** 15,5 kg

**Dimension**
**mm**

A	458	DNM	1" G	H	203		
B	174	E	241	H1	196		
C	166	F	13,5	H2	143		
DNA	1" G	G	111	I Ø	9		

**Pump connection**

 Suction side 1" G / 0,8 MPa  
 Discharge side 1" G / 0,8 MPa



# PERFORMANCE CURVES

2023-08-03

Pagina 2 / 3

DAB PUMPS S.p.A.  
Via Marco Polo, 14 - 35035 Mestrino (PD), Italy  
Tel. +39 049 5125000 - Fax +39 049 5125950  
www.dabpumps.com

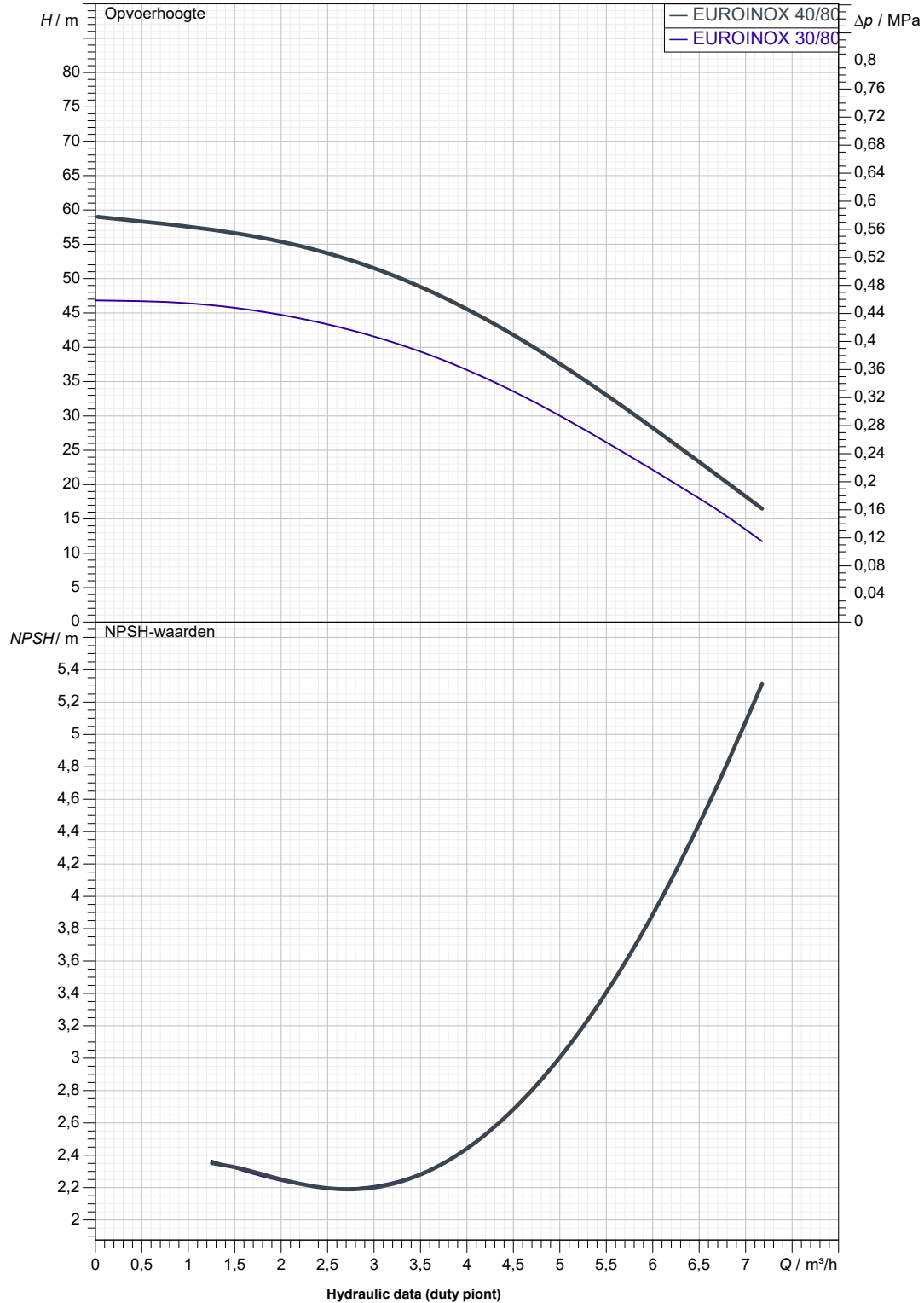
Receiver

From

Company  
Reference  
Address  
Phone  
Fax  
E-mail

## EUROINOX 40/80 M IE2

Curve tolerance according to ISO 9906



Suction side  
1" G  
0,8 MPa

Discharge side  
1" G  
0,8 MPa

Flow :

Head :

Rated speed:  
2.930 1/min

MAIN\_PROJECT\_TITLE

BUSINESS\_PROCESS\_IC

OWNER\_

ISSUE\_DATE  
2023-08-03



# DIMENSIONAL DRAWING

2023-08-03

Pagina 3 / 3

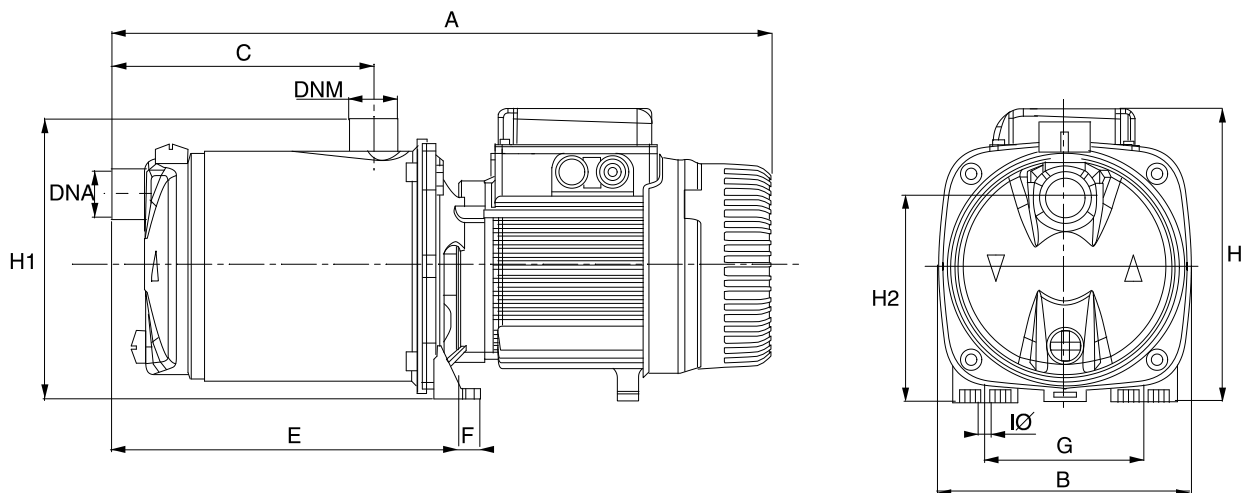
DAB PUMPS S.p.A.  
Via Marco Polo, 14 - 35035 Mestrino (PD), Italy  
Tel. +39 049 5125000 - Fax +39 049 5125950  
www.dabpumps.com

Receiver

From

Company  
Reference  
Address  
Phone  
Fax  
E-mail

## EUROINOX 40/80 M IE2



**Dimensions in mm**

**Pump connection**

1	A	458	1 Ø	9			
2	B	174					Suction
3	C	166					1" G
4	DNA	1" G					0,8 MPa
5	DNM	1" G					
6	E	241					Discharge
7	F	13,5					1" G
8	G	111					0,8 MPa
9	H	203					
10	H1	196					
11	H2	143					

MAIN\_PROJECT\_TITLE

BUSINESS\_PROCESS\_ID

OWNER

ISSUE\_DATE

2023-08-03