

**Receiver**

**From**

Company  
Reference  
Address  
Phone  
Fax  
E-mail

**Item no.** 60185581  
**Customer pos. no.:**

**Model:**  
GENIX WL 130

**Pump data**

Min. fluid temperature : 0 °C  
Max. fluid temperature : 50 °C  
Max. Temperature operating : 25 °C  
Min. Temperature operating : 5 °C  
Max Flow : 6,9 m³/h  
Max. Head : 8 m  
Max. Head (EN12050-3) : 6 m

**Requested data**

Flow :  
Head :  
Fluid : Water  
Fluid Temperature : 20 °C  
Density: 998,3 kg/m³  
Kinematische viscositeit: 1,005 mm²/s  
Dampspanning: 0,00234 MPa

**Hydraulic data (duty point)**

Flow :  
Head :

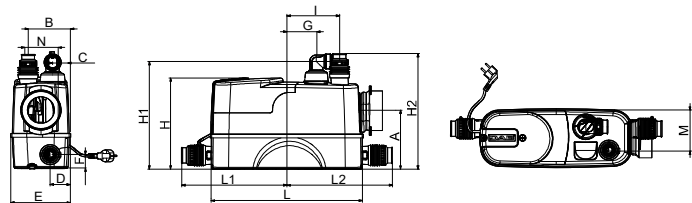
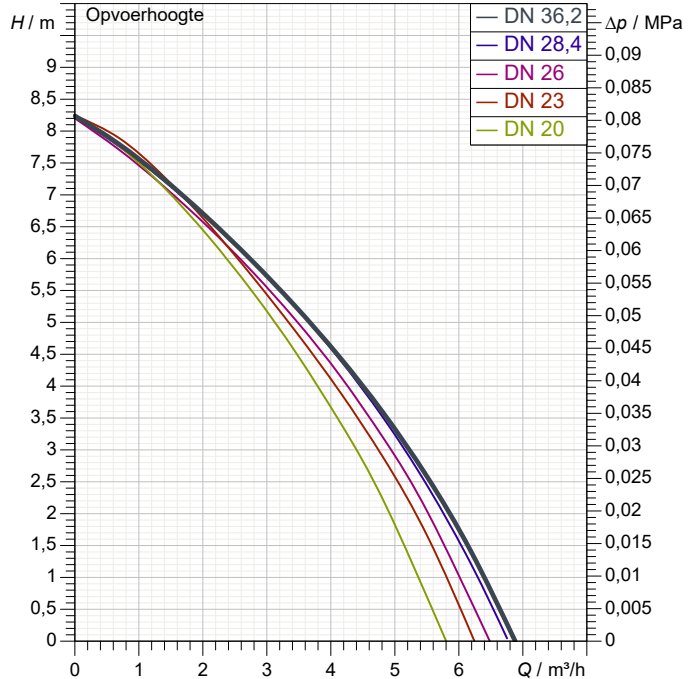
**Materials**

Impeller Polypropylene 30% fiber glass  
Tank Polypropylene 30% Barium  
Shaft Stainless steel  
Kopstuk Stainless steel  
Grinder AISI 304/420  
Soundproofing (COMFORT) Polypropylene 70% Barium  
O-Ring NBR

**Motor data**

Merk : DAB  
Nominal power P2: 0,32 kW  
Rated speed: 2.900 1/min  
Rated voltage : 1~ 230 V 50 Hz  
Nominal current : 2,3 A  
Degree of protection : IP 44

**Curve tolerance according to ISO 9906**



**Gewicht:** 10,3 kg

**Dimension mm**

A	183	G	178	L1	322		
B	118	H	277	L2	307		
C	45	H1	323	M	118		
D	60	H2	351	N	87		
E	178	I	170				
F	42	L	456				

**Pump connection**

DN 22/25/28/32/36/40



# PERFORMANCE CURVES

2023-08-24

Pagina 2 / 3

DAB PUMPS S.p.A.  
Via Marco Polo, 14 - 35035 Mestrino (PD), Italy  
Tel. +39 049 5125000 - Fax +39 049 5125950  
www.dabpumps.com

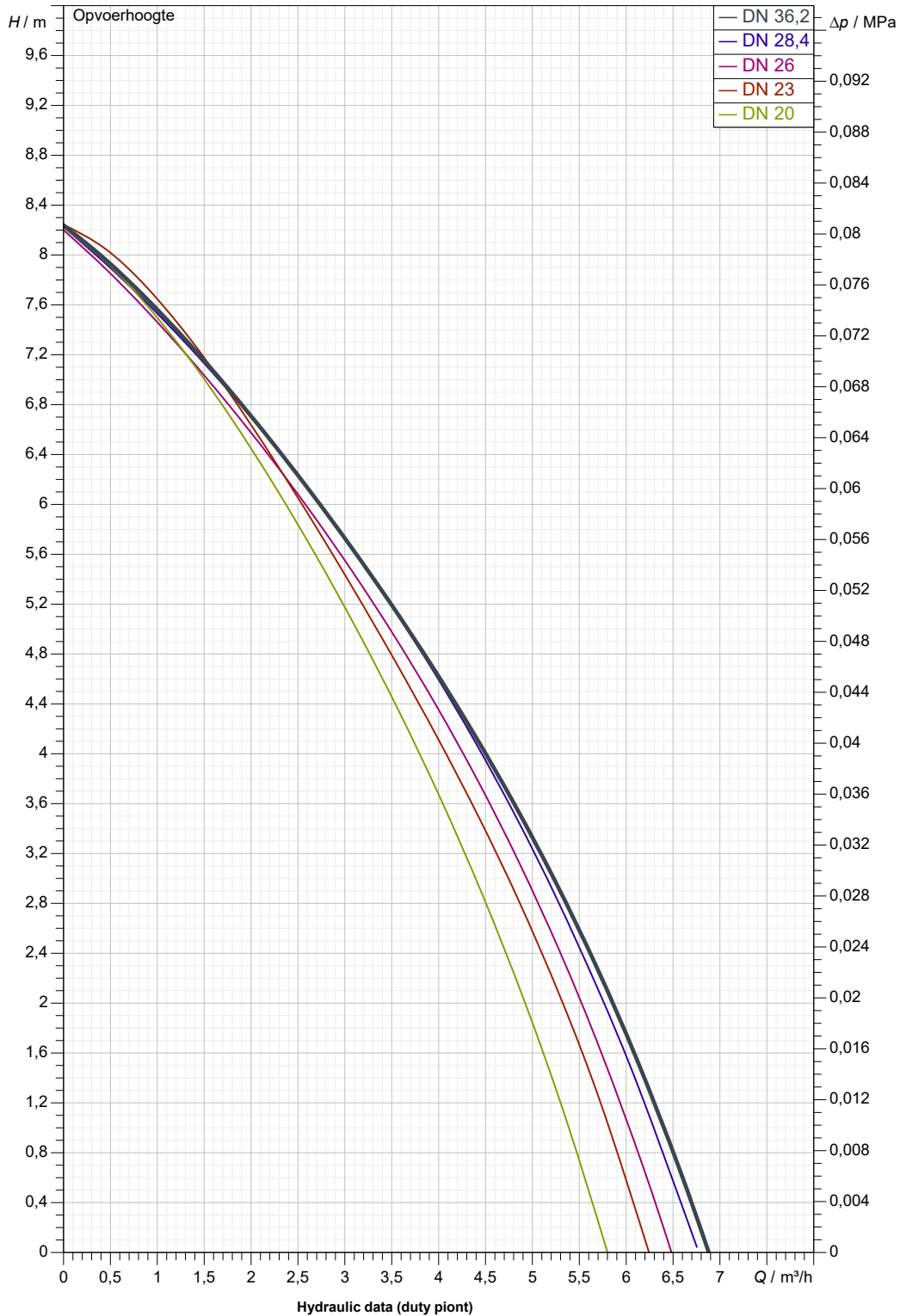
Receiver

From

Company  
Reference  
Address  
Phone  
Fax  
E-mail

## GENIX WL 130

Curve tolerance according to ISO 9906



Suction side

Discharge side

Flow :

Head :

Rated speed:  
2.900 1/min

MAIN\_PROJECT\_TITLE

BUSINESS\_PROCESS\_ID

OWNER\_

ISSUE\_DATE  
2023-08-24



# DIMENSIONAL DRAWING

2023-08-24

Pagina 3 / 3

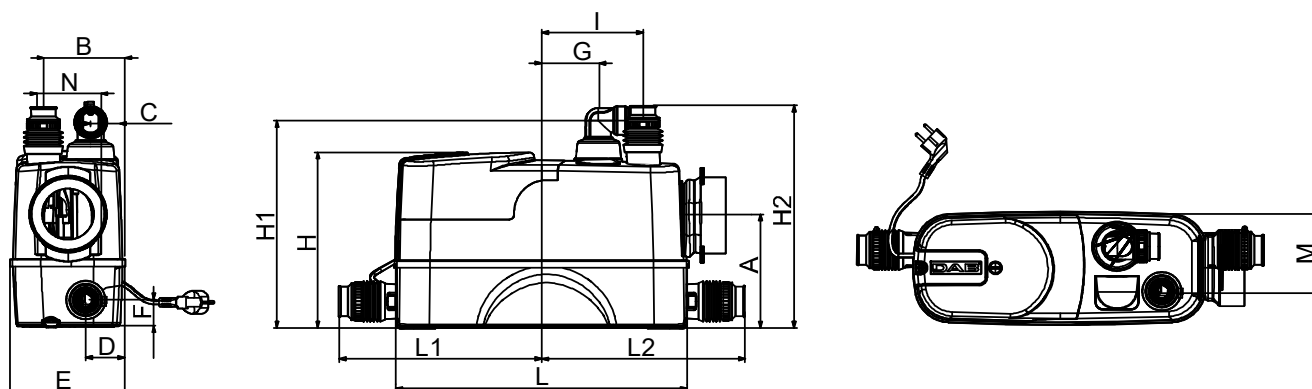
DAB PUMPS S.p.A.  
Via Marco Polo, 14 - 35035 Mestrino (PD), Italy  
Tel. +39 049 5125000 - Fax +39 049 5125950  
www.dabpumps.com

Receiver

From

Company  
Reference  
Address  
Phone  
Fax  
E-mail

## GENIX WL 130



### Dimensions in mm

### Pump connection

1	A	183	L	456	Suction	
2	B	118	L1	322		
3	C	45	L2	307		
4	D	60	M	118		
5	E	178	N	87		
6	F	42				
7	G	178				Discharge
8	H	277				
9	H1	323				
10	H2	351				
11	I	170				

MAIN\_PROJECT\_TITLE

BUSINESS\_PROCESS\_ID

OWNER\_

ISSUE\_DATE

2023-08-24