

Receiver

From

Company
Reference
Address
Phone
Fax
E-mail

Item no. 60185492
Customer pos. no.:
Model: EVOSTA2 40-70/180

Pump data
Pressure rating : 1 MPa
Min. fluid temperature : -10 °C
Max. fluid temperature : 110 °C
EEI : ≤ 0,18

Minimum suction head :
Temperatuur: °C 90
Minimum suction head : m 10

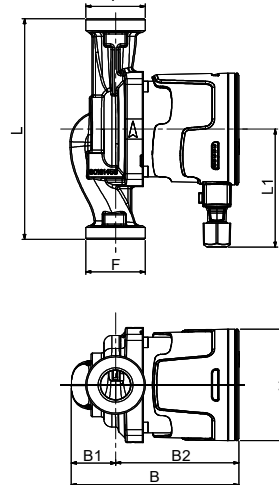
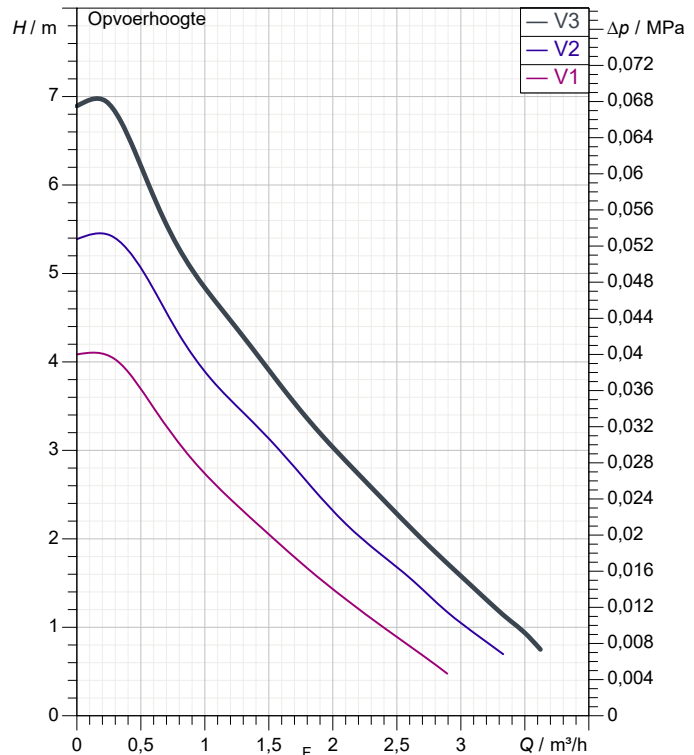
Requested data
Flow :
Head :
Fluid (%) :
Fluid Temperature : 20 °C
Density: 998,3 kg/m³
Kinematische viscositeit: 1,005 mm²/s
Dampspanning: 0,00 MPa

Hydraulic data (duty point)
Flow :
Head :

Materials
Stator jacket : AISI 316
Impeller : Ultrason
Shaft : Alumina
Bearing housing : Brass
Bushing : Alumina
Rotor : Fe
Axial bearing : Graphite

Motor data
Merk : DAB
Power input P1 : 0,035 kW
Rated voltage : 1~ 230 V 50 Hz
Nominal current : 0,32 A
Degree of protection : IP X5

Curve tolerance according to ISO 9906



| Dimension | | mm | |
|------------------------|-----------|---------|----|
| B | 134,6 | L1 | 96 |
| B1 | 35,5 | | |
| B2 | 99,1 | | |
| F | 1"1/2 | | |
| H | 91 | | |
| L | 180 | | |
| Gewicht: | | 2,19 kg | |
| Pump connection | | | |
| Suction side | 1 " 1/2 G | | |
| Discharge side | 1 " 1/2 G | | |



PERFORMANCE CURVES

DAB PUMPS S.p.A.
Via Marco Polo, 14 - 35035 Mestrino (PD), Italy
Tel. +39 049 5125000 - Fax +39 049 5125950
www.dabpumps.com

2023-07-1€

Pagina 2 / 3

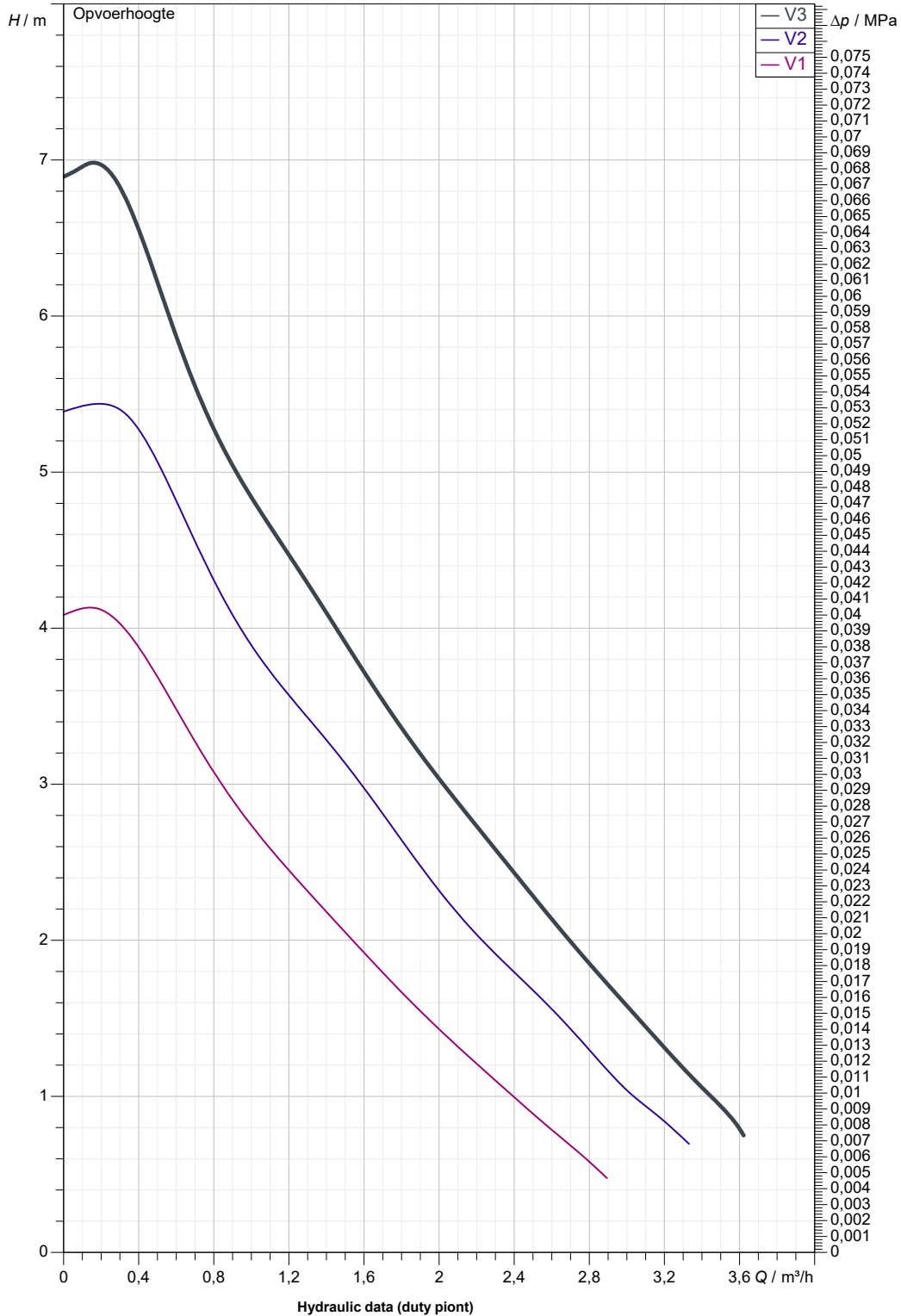
Receiver

From

Company
Reference
Address
Phone
Fax
E-mail

EVOSTA2 40-70/180

Curve tolerance according to ISO 9906



| | | | | |
|-----------------------------------|-------------------------------------|--------|--------------------------|-----------------------------|
| Suction side 1" 1/2 G 1 MPa | Discharge side 1" 1/2 G 1 MPa | Flow : | Head : | Rated speed: 2.900 1/min |
| MAIN_PROJECT_TITLE | BUSINESS_PROCESS_ID | OWNER_ | ISSUE_DATE 2023-07-19 | |



DIMENSIONAL DRAWING

2023-07-1€

Pagina 3 / 3

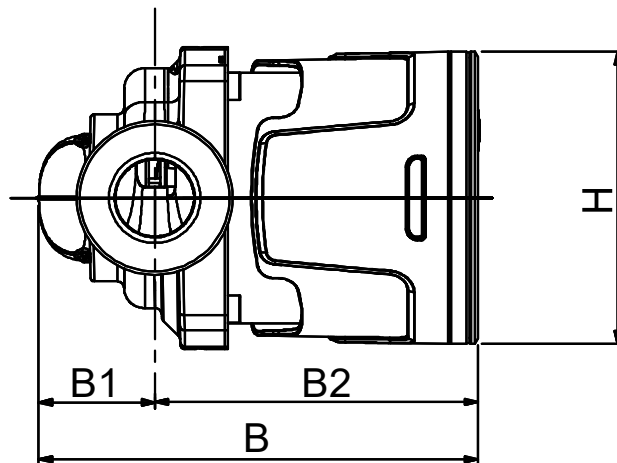
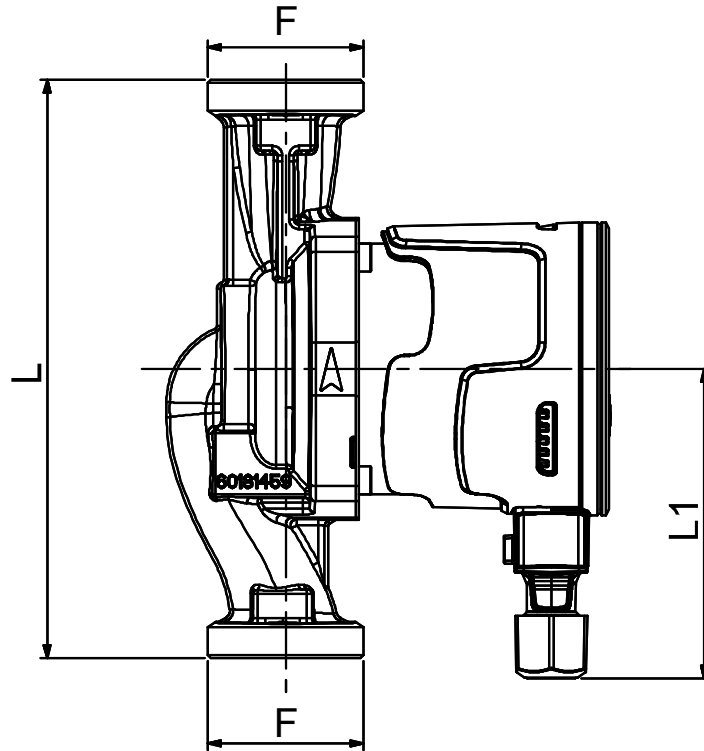
DAB PUMPS S.p.A.
Via Marco Polo, 14 - 35035 Mestrino (PD), Italy
Tel. +39 049 5125000 - Fax +39 049 5125950
www.dabpumps.com

Receiver

From

Company
Reference
Address
Phone
Fax
E-mail

EVOSTA2 40-70/180



Dimensions in mm

Pump connection

| | | | | | | | | | |
|----|----|-------|--|--|--|--|--|--|-----------|
| 1 | B | 134,6 | | | | | | | |
| 2 | B1 | 35,5 | | | | | | | Suction |
| 3 | B2 | 99,1 | | | | | | | 1" 1/2 G |
| 4 | F | 1"1/2 | | | | | | | 1 MPa |
| 5 | H | 91 | | | | | | | Discharge |
| 6 | L | 180 | | | | | | | 1" 1/2 G |
| 7 | L1 | 96 | | | | | | | 1 MPa |
| 8 | | | | | | | | | |
| 9 | | | | | | | | | |
| 10 | | | | | | | | | |
| 11 | | | | | | | | | |

MAIN_PROJECT_TITLE

BUSINESS_PROCESS_ID

OWNER

ISSUE_DATE

2023-07-19