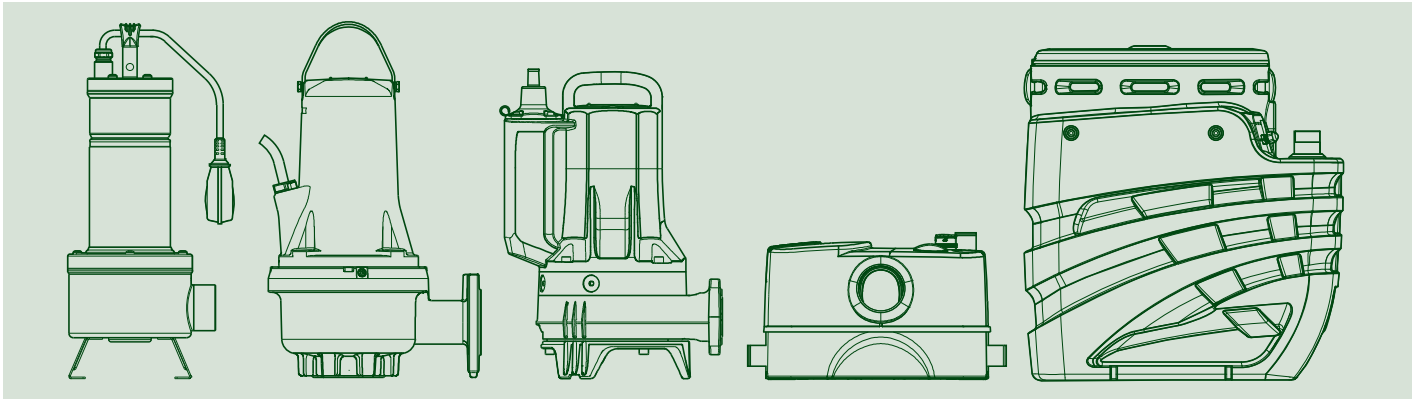




WATER • TECHNOLOGY

SUBMERSIBLE PUMPS



TECHNICAL CATALOGUE



TECHNICAL DATA

Operating range:
from 1 to 18 m³/h with head up to 12 metres.

Liquid temperature range:
from 0 °C to +35 °C.

Pumped liquid:
dirty water with maximum solid particle size 38 mm.

Max. immersion depth: 7 metres.

Maximum dry run time: 1 minute

Protection class: IP 68.

Insulation class: F.

APPLICATIONS

Powerful submersible pumps for draining and emptying applications. Suitable for pumping dirty water with solid particle size up to 38 mm. Automatic version with float switch for automatic pump start and stop also available

CONSTRUCTION FEATURES OF THE PUMP

Hydro resistant technopolymer pump body, wear-free impellers, cover, and suction grid.
Corrosion and oxidation resistant materials.

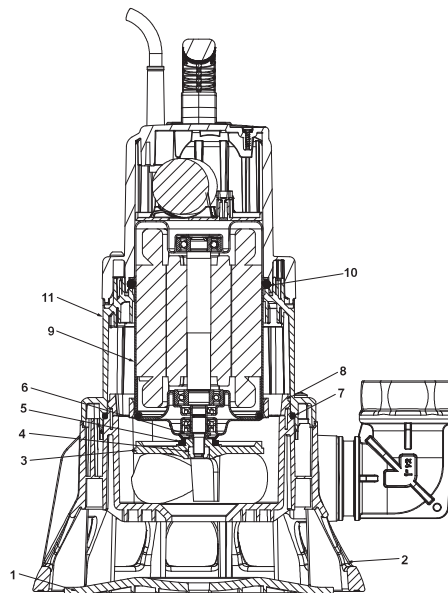
CONSTRUCTION FEATURES OF THE MOTOR

Submersible type continuous duty asynchronous motor.
Thermal overheating protection.
Wear-resistant motor shaft.

MATERIALS

N.	PARTS*	MATERIALS
1	CAP	TECHNOPOLYMER
2	FLOAT	TECHNOPOLYMER
3	IMPELLER	TECHNOPOLYMER
4	NUT	A2 DIN982-UNI7473 STAINLESS STEEL
5	V. RING	NBR
6	WASHER	A2 STAINLESS STEEL
7	OR RING	NBR
8	MOTOR RING	TECHNOPOLYMER
9	MOTOR	CASE ALUMINIUM
		ROTOR SHAFT AISI 416 STAINLESS STEEL UNI EN 10088-1 X12CRS13
10	OR RING	NBR
11	BODY	TECHNOPOLYMER

* In contact with the liquid



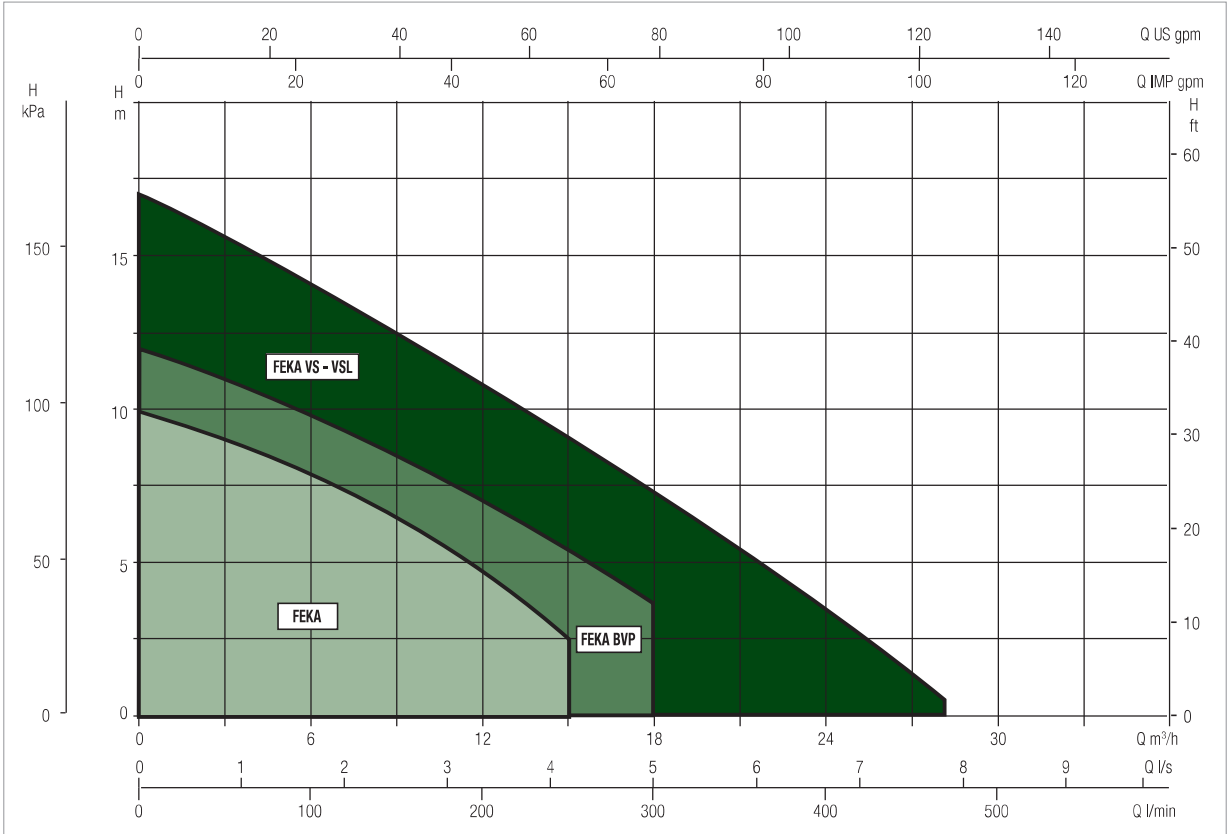
FEKA RANGE

SUBMERSIBLE PUMPS

PERFORMANCE RANGE

The performance curves are based on kinematic viscosity values = 1 mm²/s and density equal to 1000 kg/m³. Curve tolerance according to ISO 9906.

GRAPHIC SELECTION TABLE

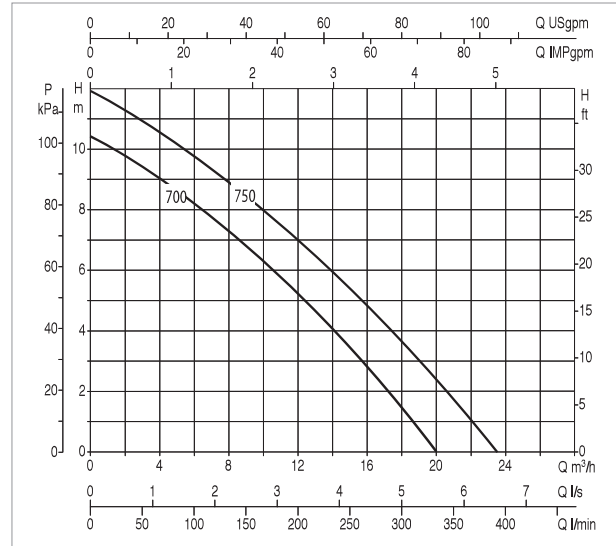
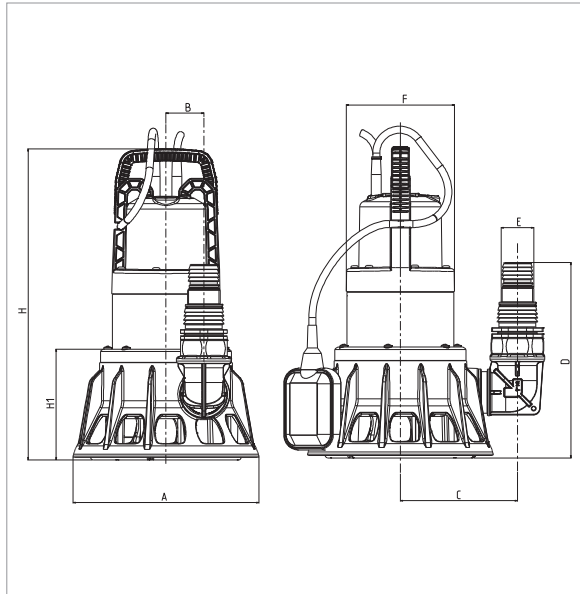


SELECTION TABLE - FEKA BVP

MODEL	Q=m ³ /h	0	3	6	9	12	15	18	24	30	36
	Q=l/min	0	50	100	150	200	250	300	400	500	600
FEKA BVP 700 M	H	10,5	9,5	8,1	7	5,1	4	1,5			
FEKA BVP 750 M	(M)	12	11	9,8	8,8	7	6	3,6			

FEKA BVP - SEWAGE WATER DRAINING SUBMERSIBLE PUMPS FOR DOMESTIC USE

Liquid temperature range: from 0 °C to +35 °C



The performance curves are based on kinematic viscosity values = 1 mm²/s and density equal to 1000 kg/m³. Curve tolerance according to ISO 9906.

MODEL	ELECTRICAL DATA				
	POWER INPUT 50 Hz	P1 MAX kW	P2 NOMINAL		In A
			kW	HP	
FEKA BVP 700 M-A	1 x 230 V ~	1.0	0.70	0.95	4.6
FEKA BVP 750 M-A	1 x 230 V ~	1.1	0.75	1	5.6

MODEL	A	B	C	D	E	F	H	H1	DNM GAS	PACKING DIMENSIONS			CABLE	VOLUME (m ³)	WEIGHT kg
										L/A	L/B	H			
FEKA BVP 700 M-A	240	49	150	250	M40	140	400	142	1" 1/2	244	244	442	10 mt.	0.026	8
FEKA BVP 750 M-A	240	49	150	250	M40	140	400	142	1" 1/2	244	244	442	10 mt.	0.026	8

DNA
DNA
PUMPS SELECTOR

On-line product selection



DAB PUMPS LTD.
6 Gilberd Court
Newcomen Way
Severalls Business Park
Colchester
Essex
CO4 9WN - UK
salesuk@dwtgroup.com
Tel. +44 0333 777 5010



DAB PUMPS IBERICA S.L.
Calle Verano 18-20-22
28850 - Torrejón de Ardoz - Madrid
Spain
Info.spain@dwtgroup.com
Tel. +34 91 6569545
Fax: + 34 91 6569676



DAB PUMPS SOUTH AFRICA (PTY) LTD
Twenty One Industrial Estate,
16 Purlin Street, Unit B, Warehouse 4
Olifantsfontein -1666 - South Africa
info.sa@dwtgroup.com
Tel. +27 12 361 3997



DAB PUMPS BV
'tHofveld 6 C1
1702 Groot Bijgaarden - Belgium
info.belgium@dwtgroup.com
Tel. +32 2 4668353



DAB PUMPS HUNGARY KFT.
H-8800
Nagykanizsa, Buda Ernő u.5
Hungary
Tel. +36 93501700



DAB PUMPS (QINGDAO) CO. LTD.
No.40 Kaituo Road, Qingdao Economic & Technological
Development Zone
Qingdao City, Shandong Province - China
PC: 266500
sales.cn@dwtgroup.com
Tel. +86 400 186 8280
Fax +86 53286812210



DAB PUMPS B.V.
Albert Einsteinweg, 4
5151 DL Drunen - Nederland
info.netherlands@dwtgroup.com
Tel. +31 416 387280
Fax +31 416 387299



DAB PUMPS POLAND Sp. z o.o.
Ul. Janka Muzykanta 60
02-188 Warszawa - Poland
polska@dabpumps.com.pl



DAB PUMPS DE MÉXICO, S.A. DE C.V.
Av Amsterdam 101 Local 4
Col. Hipódromo Condesa,
Del. Cuauhtémoc CP 06170
Ciudad de México
Tel. +52 55 6719 0493



DAB PUMPS GMBH
Am Nordpark 3
D - 41069 Mönchengladbach - Germany
info.germany@dwtgroup.com
Tel. +49 2161 47388-0
Fax +49 2161 47388-36



DAB PUMPS INC.
3226 Benchmark Drive
Ladson, SC 29456 - USA
info.usa@dwtgroup.com
Tel. 1-843-797-5002
Fax 1-843-797-3366



DAB PUMPS OCEANIA PTY LTD
426 South Gippsland Hwy,
Dandenong South VIC 3175 - Australia
info.oceania@dwtgroup.com
Tel. +61 1300 373 677



PT DAB PUMPS INDONESIA
Satrio Tower Iantai 26
unit C-D, Jl. Prof. Dr. Satrio Kav. C4,
Kel. Kuningan Timur, Kec. Setiabudi, Kota Adm.
Jakarta Selatan, Prov. DKI Jakarta. - Indonesia
Tel. +62 2129222850