

Receiver

From

Company
Reference
Address
Phone
Fax
E-mail

Item no. 103040000
Customer pos. no.:

Model:
FEKA VS 550 M - A

Pump data

Free passage : 50 mm
Pressure rating :
Min. fluid temperature : 0
Max. fluid temperature : 50 °C
Max. Temperature operating : 40 °C

Requested data

Flow :
Head :
Fluid : Water
Fluid Temperature : 20 °C
Density : 998,3 kg/m³
Kinematische viscositeit: 1,005 mm²/s
Dampspanning: 0,00234 MPa

Hydraulic data (duty point)

Flow :
Head :

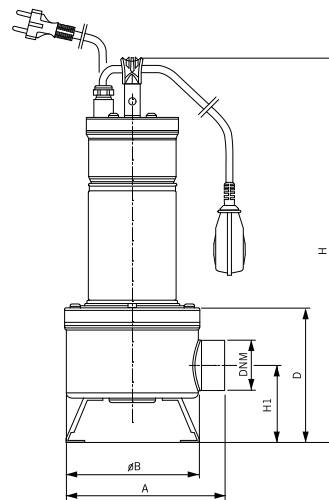
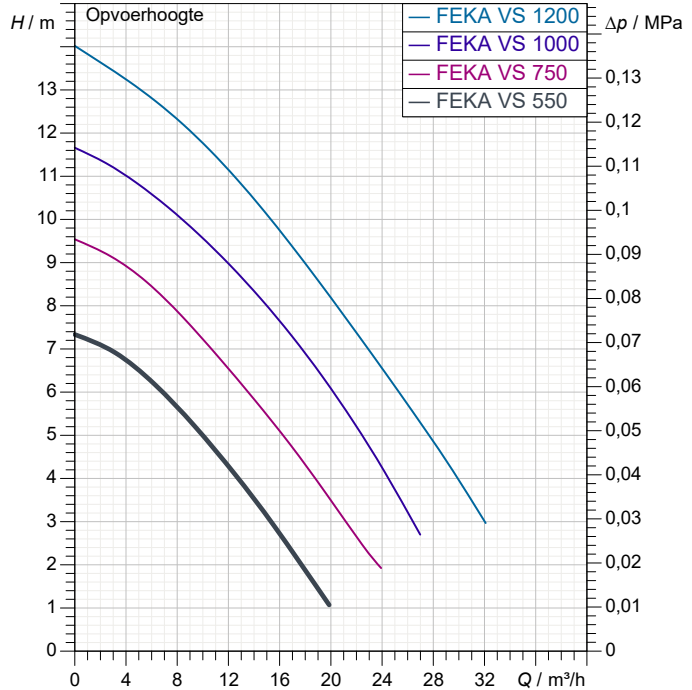
Materials

Pump body : Stainless Steel (AISI 304)
Impeller : Stainless Steel (AISI 304)
Motor shaft : AISI 316
Seal disk : Stainless Steel (AISI 304)
Motor casing : Stainless Steel (AISI 304)
Mechanical seal pump side : Silicon carbide/Silicon carbide
Mechanical seal motor side : Carbon/Alumina

Motor data

Merk : DAB
Nominal power P2: 0,55 kW
Rated speed: 2.800 1/min
Rated voltage : 1~ 220-240 V 50 Hz
Nominal current : 4,2 A
Degree of protection : IP 68

Curve tolerance according to ISO 9906



Gewicht: 16,3 kg

Dimension mm

A	203				
B	170				
D	172				
DNM	2" F				
H	492				
H1	98				

Pump connection

Suction side : /
Discharge side : 2" GAS / --

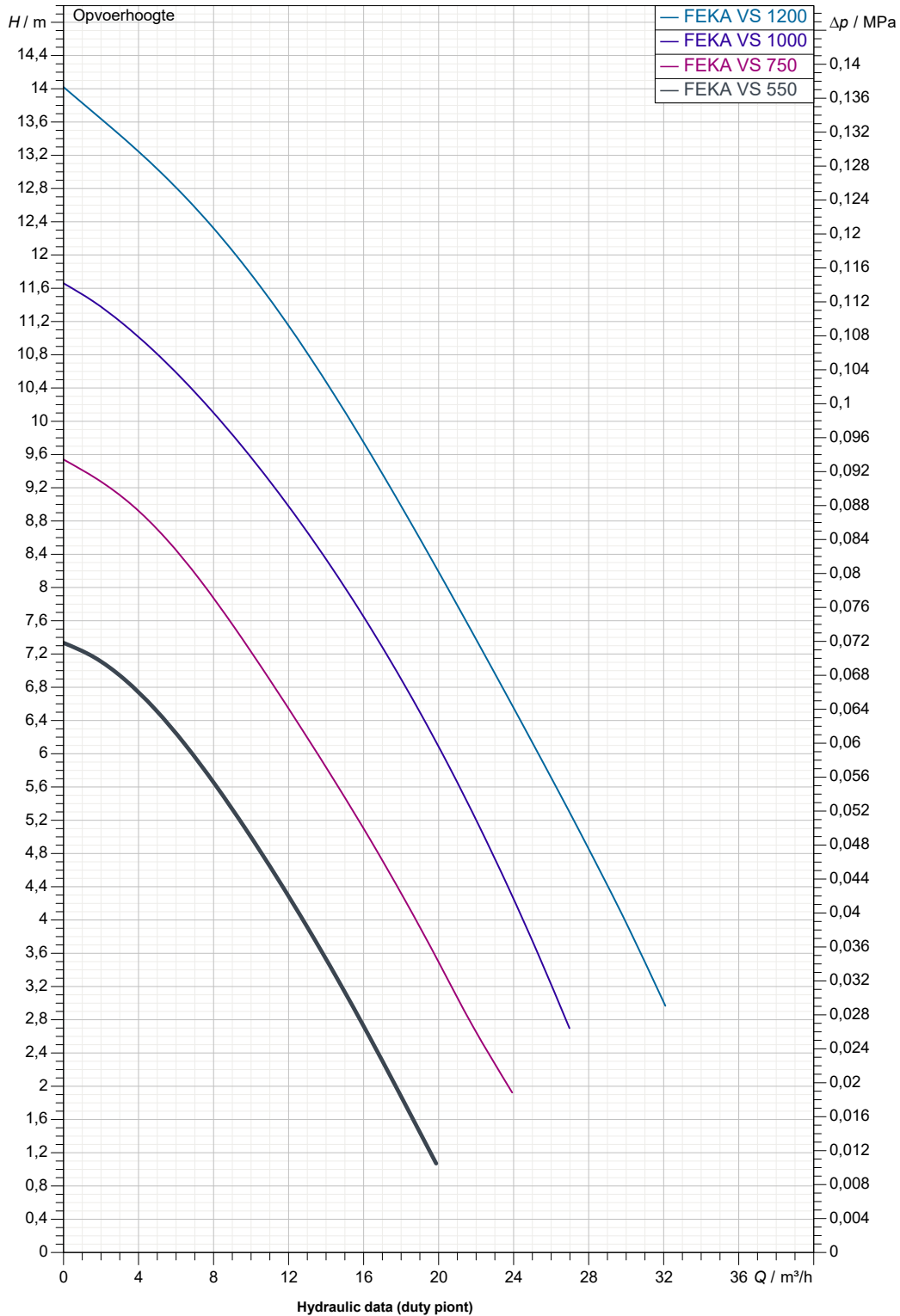
Receiver

From

Company
Reference
Address
Phone
Fax
E-mail

FEKA VS 550 M - A

Curve tolerance according to ISO 9906



Suction side

Discharge side
2" GAS
--

Flow :

Head :

Rated speed:
2.800 1/min

MAIN_PROJECT_TITLE

BUSINESS_PROCESS_ID

OWNER_

ISSUE_DATE
2023-08-03



DIMENSIONAL DRAWING

2023-08-03

Pagina 3 / 3

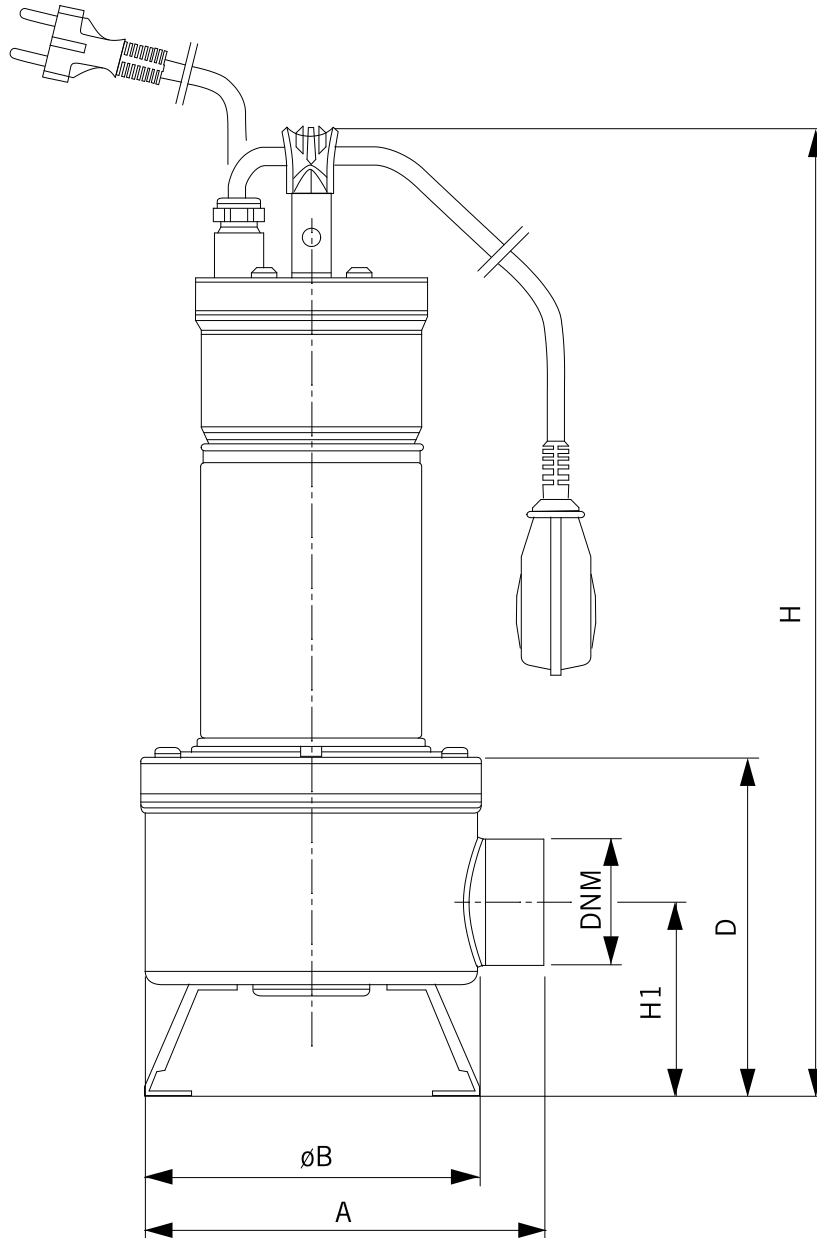
DAB PUMPS S.p.A.
Via Marco Polo, 14 - 35035 Mestrino (PD), Italy
Tel. +39 049 5125000 - Fax +39 049 5125950
www.dabpumps.com

Receiver

From

Company
Reference
Address
Phone
Fax
E-mail

FEKA VS 550 M - A



Dimensions in mm			Pump connection			
1	A	203				Suction
2	B	170				
3	D	172				
4	DNM	2" F				
5	H	492				
6	H1	98				
7						Discharge 2" GAS --
8						
9						
10						
11						

MAIN_PROJECT_TITLE	BUSINESS_PROCESS_ID	OWNER	ISSUE_DATE 2023-08-03
--------------------	---------------------	-------	--------------------------